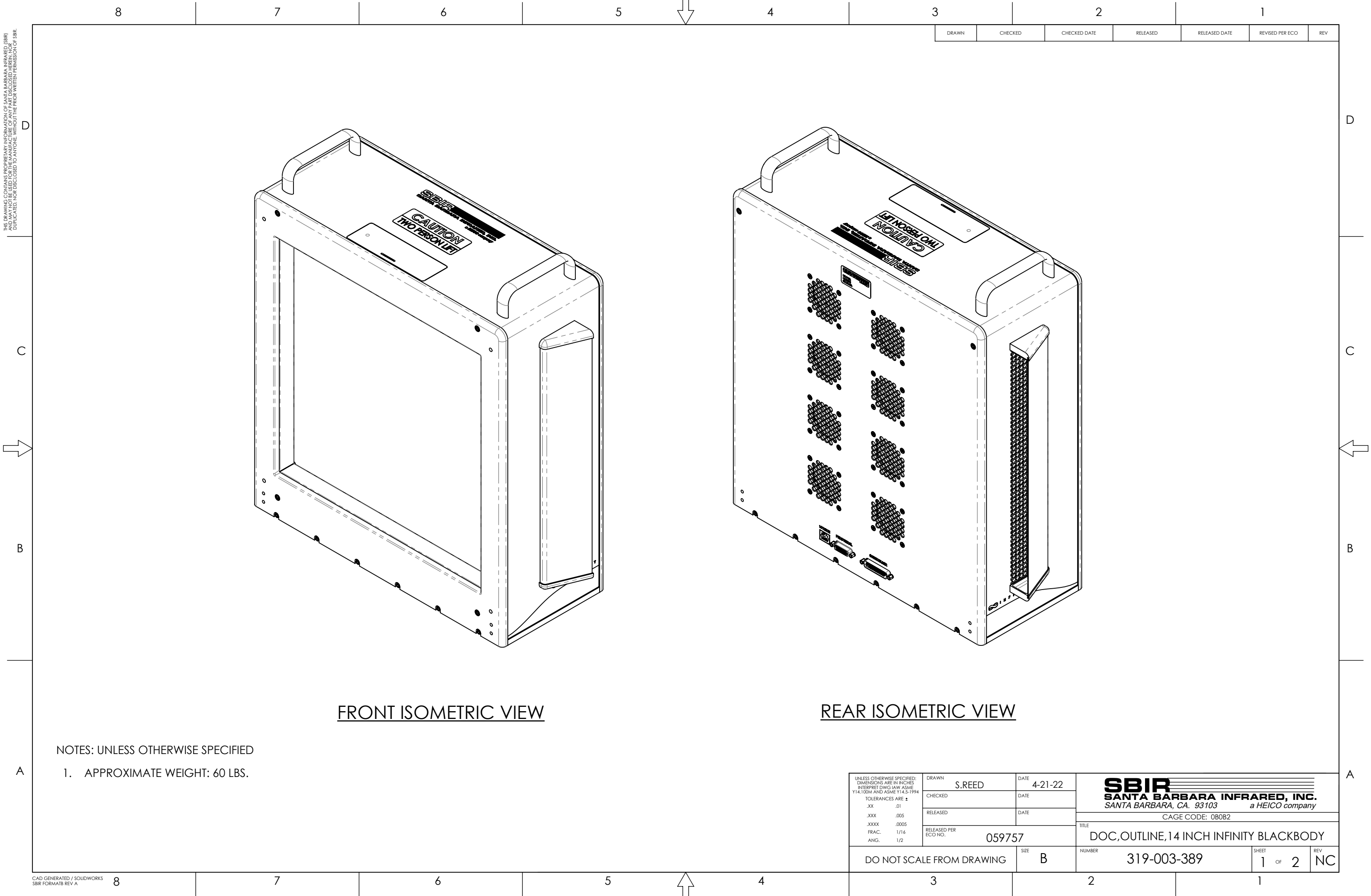


THE DRAWING CONTAINS PROPRIETARY INFORMATION OF SANTA BARBARA INFRARED (SBIR) AND MAY NOT BE USED FOR REPRODUCTION OR MANUFACTURE OF ANY PART DISCLOSED HEREIN, NOT BE LOANED, COPIED, REPRODUCED, OR TRANSMITTED IN ANY FORM OR BY ANY MEANS, WITHOUT THE PRIOR WRITTEN PERMISSION OF SBIR.

DRAWN	CHECKED	CHECKED DATE	RELEASED	RELEASED DATE	REVISED PER ECO	REV
-------	---------	--------------	----------	---------------	-----------------	-----



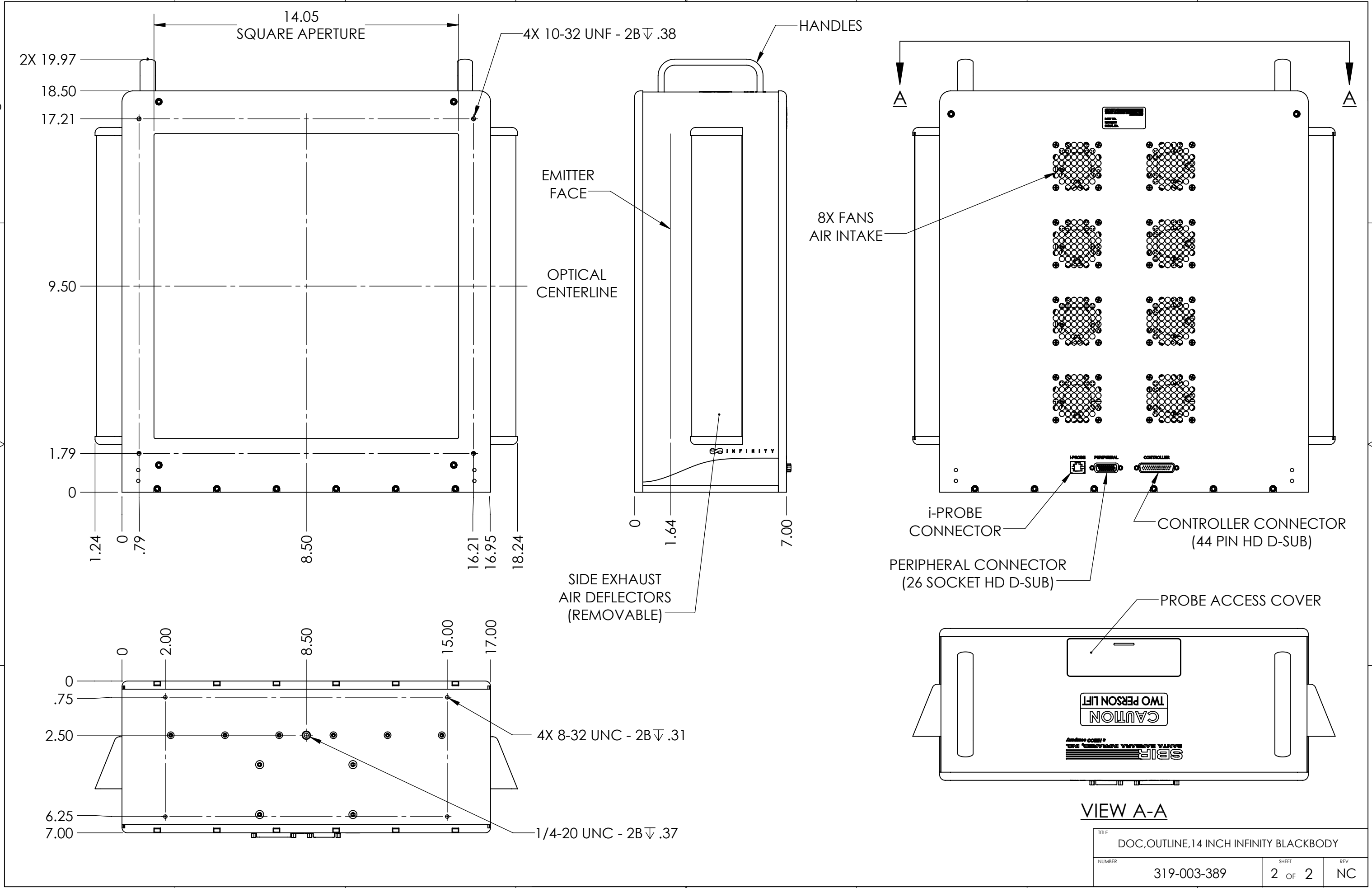
FRONT ISOMETRIC VIEW

REAR ISOMETRIC VIEW

- NOTES: UNLESS OTHERWISE SPECIFIED
- APPROXIMATE WEIGHT: 60 LBS.

<small>UNLESS OTHERWISE SPECIFIED: DIMENSIONS ARE IN INCHES INTERPRET DWG IN ACCORDANCE WITH Y14.100M AND ASME Y14.5-1994</small> TOLERANCES ARE: .XX .01 .XXX .005 .XXXX .0005 FRAC. 1/16 ANG. 1/2	DRAWN	S.REED	DATE	4-21-22	 SANTA BARBARA INFRARED, INC. SANTA BARBARA, CA. 93103 <i>a HEICO company</i>	
	CHECKED		DATE			CAGE CODE: 0B0B2
	RELEASED		DATE		TITLE	DOC, OUTLINE, 14 INCH INFINITY BLACKBODY
	RELEASED PER ECO NO.	059757		NUMBER	319-003-389	SHEET 1 OF 2
DO NOT SCALE FROM DRAWING			SIZE	B		

THIS DRAWING CONTAINS PROPRIETARY INFORMATION OF SANTA BARBARA INFRARED (SBIR). IT IS NOT TO BE REPRODUCED, COPIED, OR TRANSMITTED IN ANY FORM OR BY ANY MEANS, ELECTRONIC OR MECHANICAL, WITHOUT THE PRIOR WRITTEN PERMISSION OF SBIR.



VIEW A-A

TITLE	DOC, OUTLINE, 14 INCH INFINITY BLACKBODY		
NUMBER	319-003-389	SHEET	2 OF 2
REV	NC		