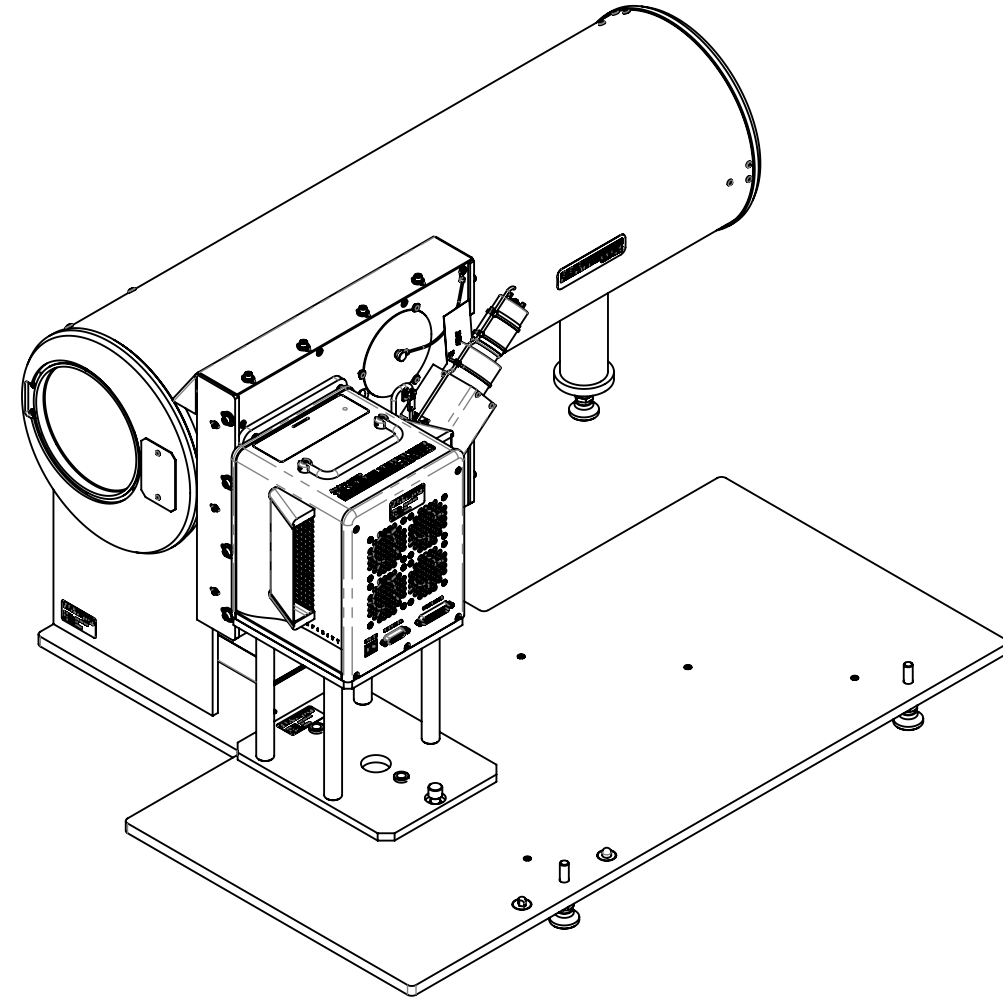
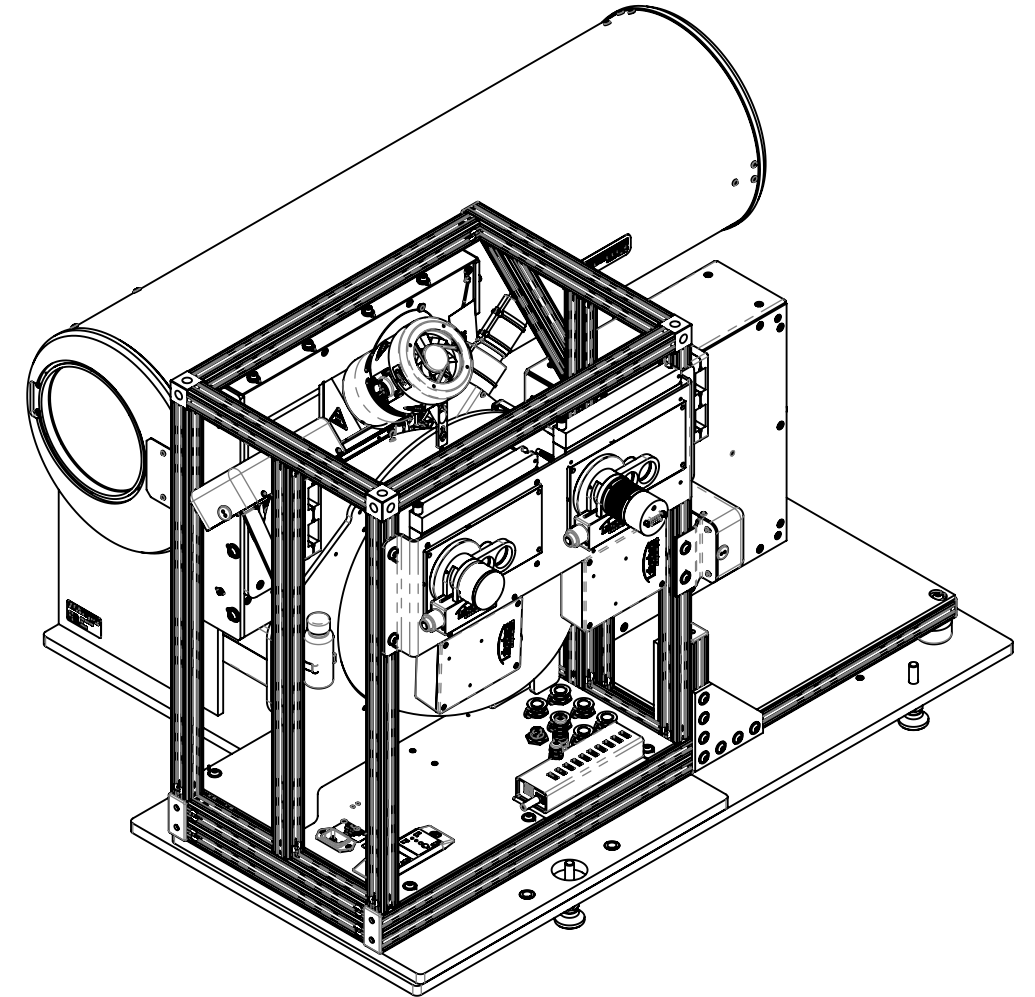


THE DRAWING CONTAINS PROPRIETARY INFORMATION OF SANTA BARBARA INFRARED (SBIR) AND MAY NOT BE USED FOR REPRODUCTION OR MANUFACTURE OF ANY PART INCLOSED HEREIN, NOR BE LOANED, REPRODUCED, COPIED, EITHER WHOLLY OR IN PART, OR TRANSMITTED IN ANY MANNER, WITHOUT THE PRIOR WRITTEN PERMISSION OF SBIR.

DRAWN	CHECKED	CHECKED DATE	RELEASED	RELEASED DATE	REVISED PER ECO	REV
-------	---------	--------------	----------	---------------	-----------------	-----



4" BLACKBODY SOURCE CONFIGURATION



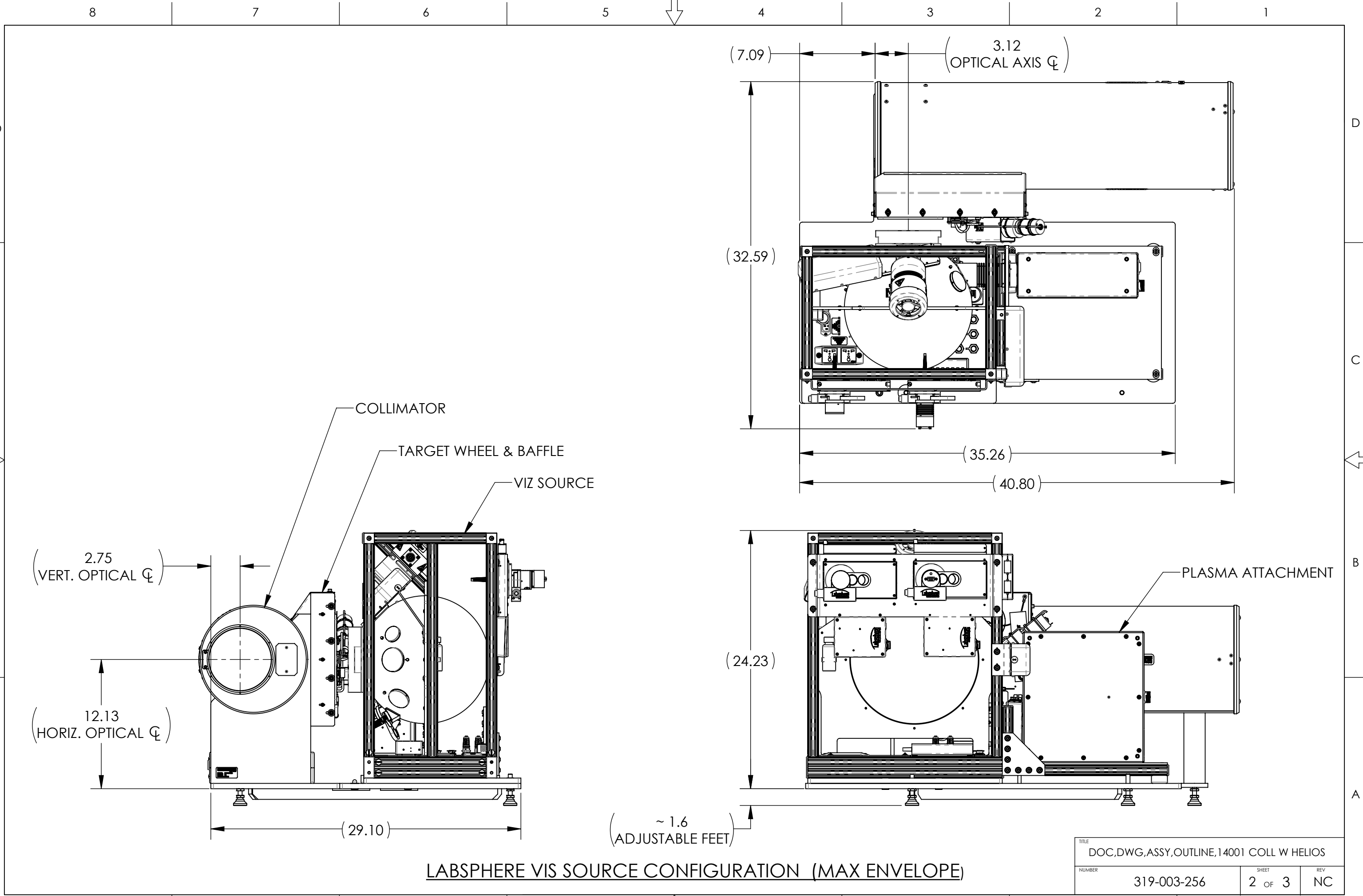
LABSPHERE VIS SOURCE CONFIGURATION

NOTES: UNLESS OTHERWISE SPECIFIED

1. CABLES NOT SHOWN
2. ALL DIMENSIONS SHOWN FOR REFERENCE ONLY.
3. ESTIMATED SYSTEM MASS: BLACKBODY CONFIGURATION = 114 LBS  
VIS SOURCE CONFIGURATION = 169.2 LBS

<small>UNLESS OTHERWISE SPECIFIED: DIMENSIONS ARE IN INCHES INTERPRET DWG IAW ASME Y14.100M AND ASME Y14.5-1994</small> TOLERANCES ARE: .XX .01 .XXX .005 .XXXX .0005 FRAC. 1/16 ANG. 1/2	DRAWN M.BOEHM	DATE 8-25-21	<b>SBIR</b> <b>SANTA BARBARA INFRARED, INC.</b> SANTA BARBARA, CA. 93103 <i>a HEICO company</i>	
	CHECKED	DATE		CAGE CODE: 0B0B2
	RELEASED	DATE		TITLE DOC,DWG,ASSY,OUTLINE,14001 COLL W HELIOS
	RELEASED PER ECO NO.	059143	NUMBER 319-003-256	SHEET 1 OF 3 REV NC
DO NOT SCALE FROM DRAWING		SIZE B		

THIS DRAWING CONTAINS PROPRIETARY INFORMATION OF SANTA BARBARA INFRARED (SBI) AND IS NOT TO BE REPRODUCED, COPIED, OR TRANSMITTED IN ANY FORM OR BY ANY MEANS, ELECTRONIC OR MECHANICAL, INCLUDING PHOTOCOPYING, RECORDING, OR BY ANY INFORMATION STORAGE AND RETRIEVAL SYSTEM, WITHOUT THE EXPRESS WRITTEN PERMISSION OF SBI.



LABSPHERE VIS SOURCE CONFIGURATION (MAX ENVELOPE)

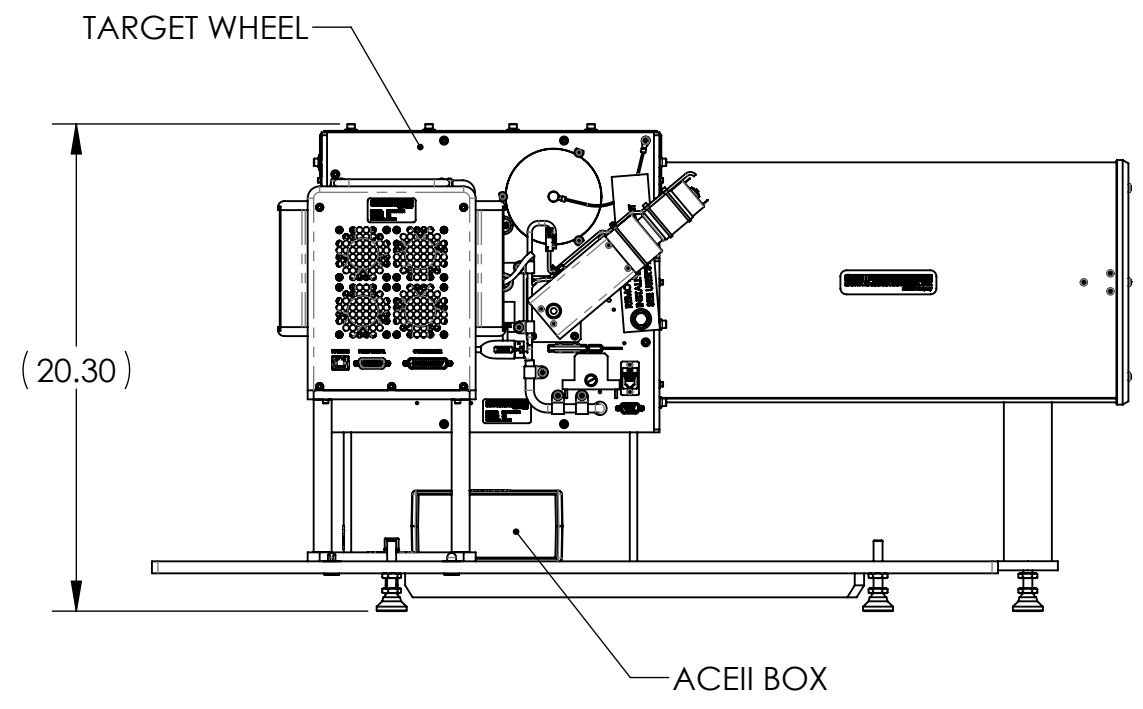
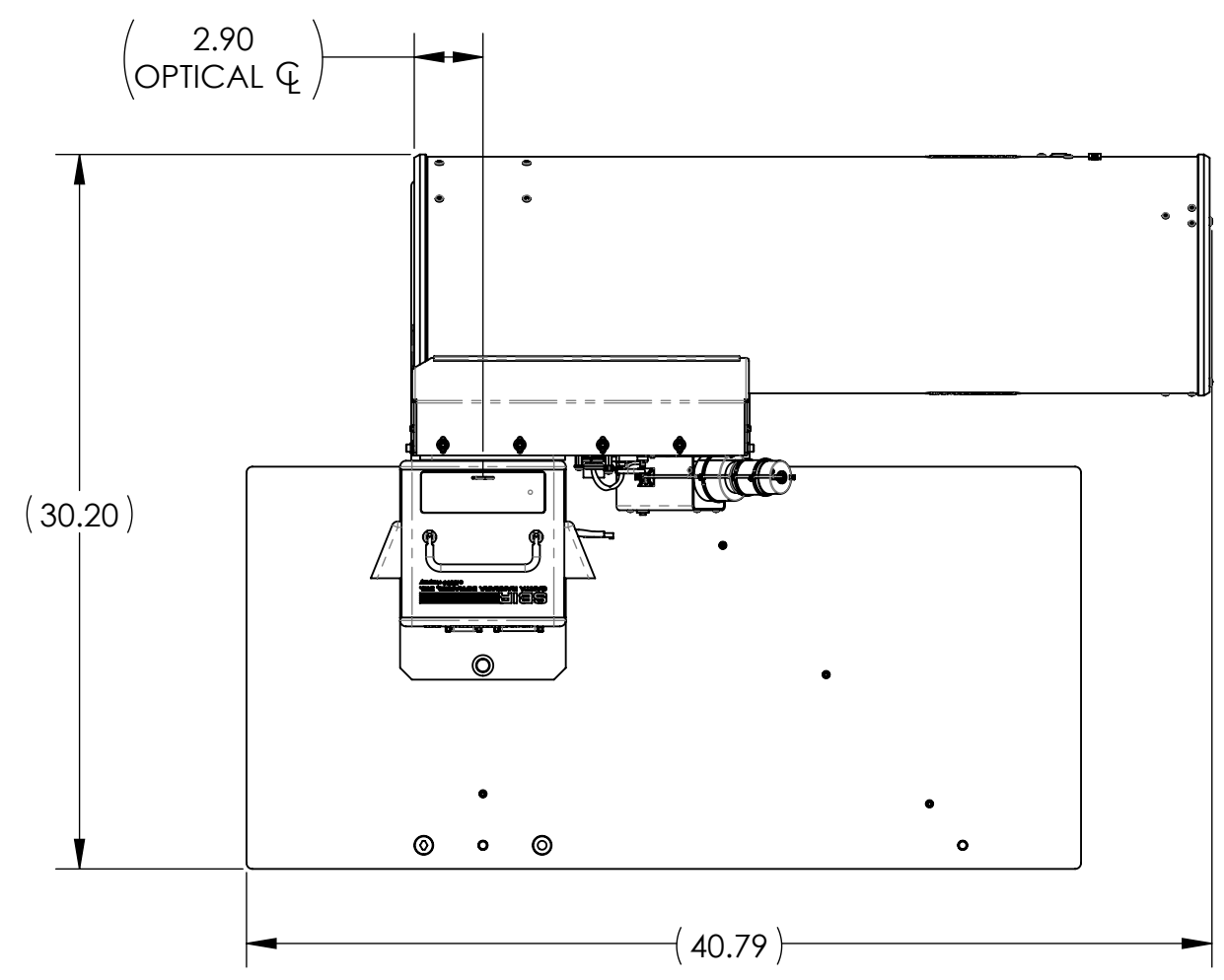
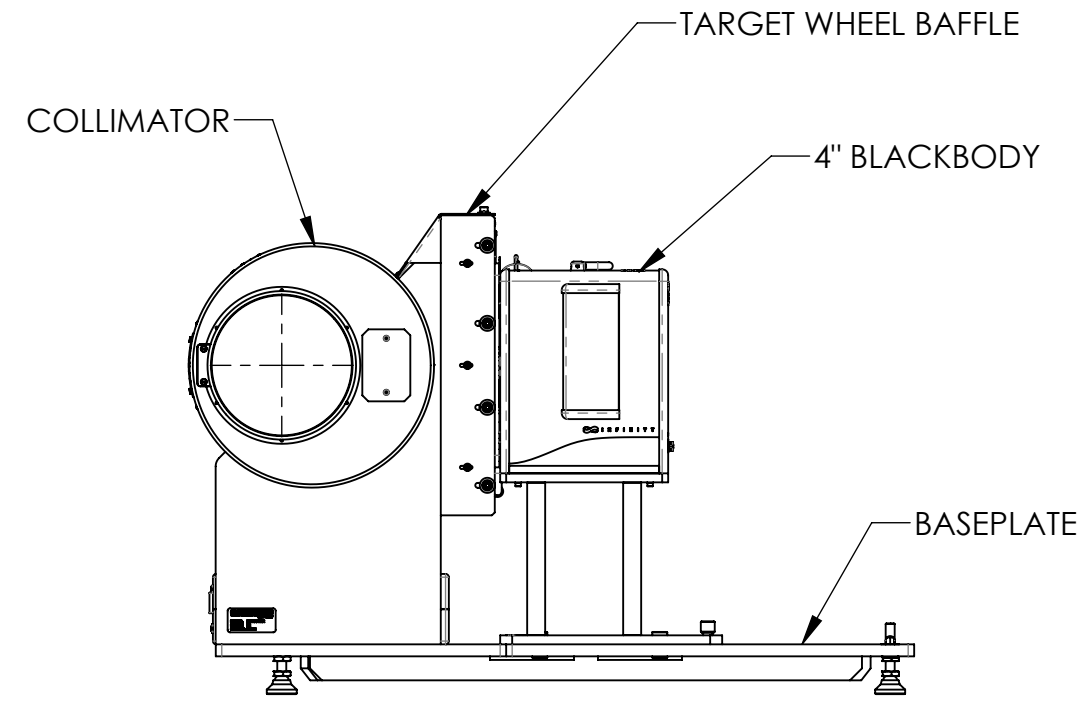
TITLE	DOC,DWG,ASSY,OUTLINE,14001 COLL W HELIOS		
NUMBER	319-003-256	SHEET 2 OF 3	REV NC

THIS DRAWING CONTAINS PROPRIETARY INFORMATION OF SANTA BARBARA INFRARED (SBIR). IT IS NOT TO BE REPRODUCED, COPIED, OR TRANSMITTED IN ANY FORM OR BY ANY MEANS, ELECTRONIC OR MECHANICAL, INCLUDING PHOTOCOPYING, RECORDING, OR BY ANY INFORMATION STORAGE AND RETRIEVAL SYSTEM, WITHOUT THE PRIOR WRITTEN PERMISSION OF SBIR.

8 7 6 5 4 3 2 1

D  
C  
B  
A

D  
C  
B  
A



4" BLACKBODY SOURCE CONFIGURATION

TITLE	DOC,DWG,ASSY,OUTLINE,14001 COLL W HELIOS		
NUMBER	319-003-256	SHEET 3 OF 3	REV NC

8 7 6 5 4 3 2 1