

THIS DOCUMENT IS UNCLASSIFIED EXCEPT WHERE SHOWN OTHERWISE. IT IS UNCLASSIFIED EXCEPT WHERE SHOWN OTHERWISE. IT IS UNCLASSIFIED EXCEPT WHERE SHOWN OTHERWISE.

8

7

6

5

4

3

2

1

D

C

B

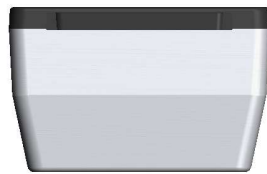
A

D

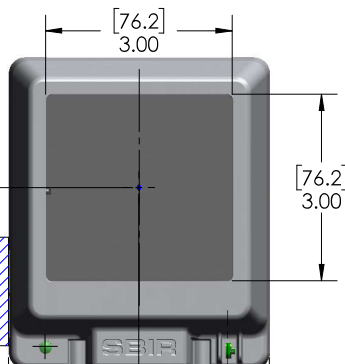
C

B

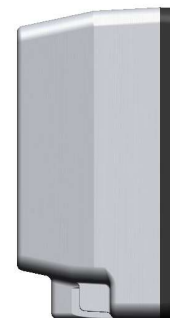
A



TOP VIEW



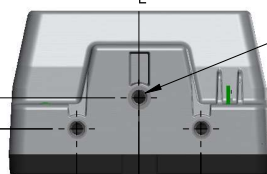
FRONT VIEW



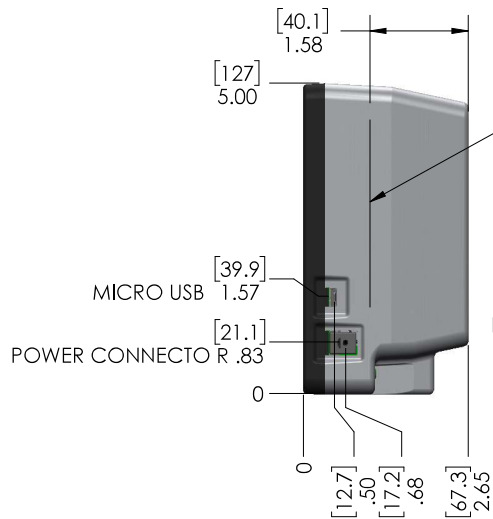
RIGHT VIEW



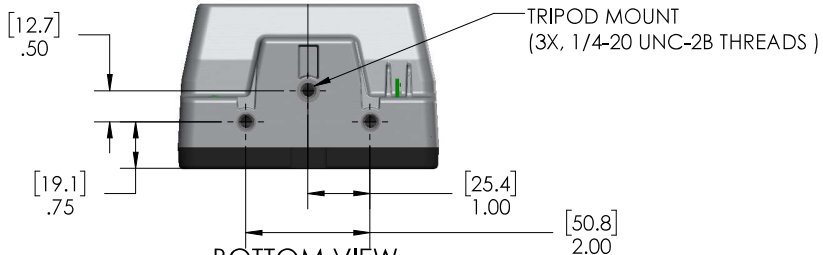
BACK VIEW



BOTTOM VIEW



LEFT VIEW



FILE: DOC,OUTLINE,BTR-03		
PARAMETER: 319-002-817	SHEET: 2 OF 4	REV: A

8

7

6

5

4

3

2

1