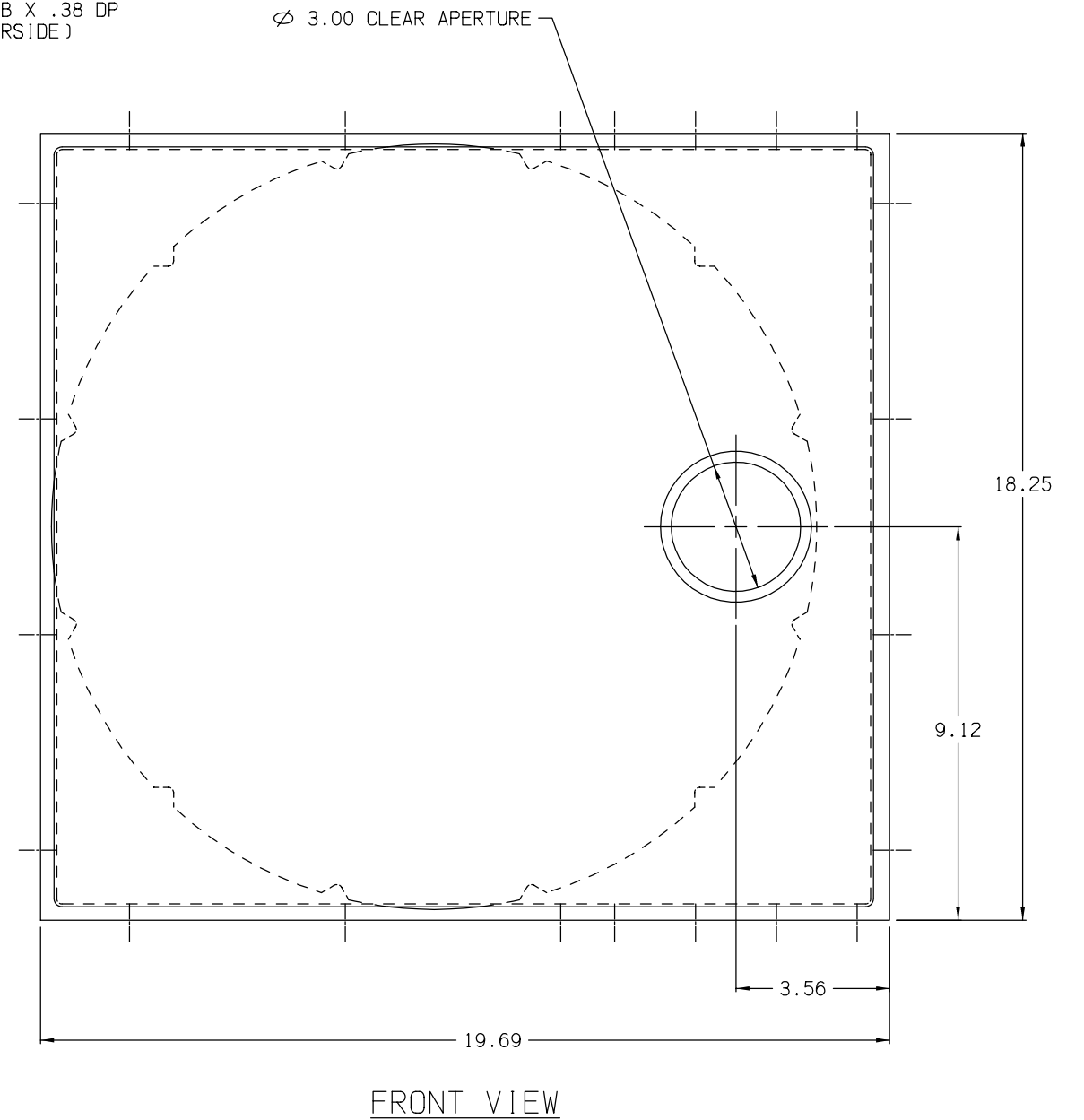
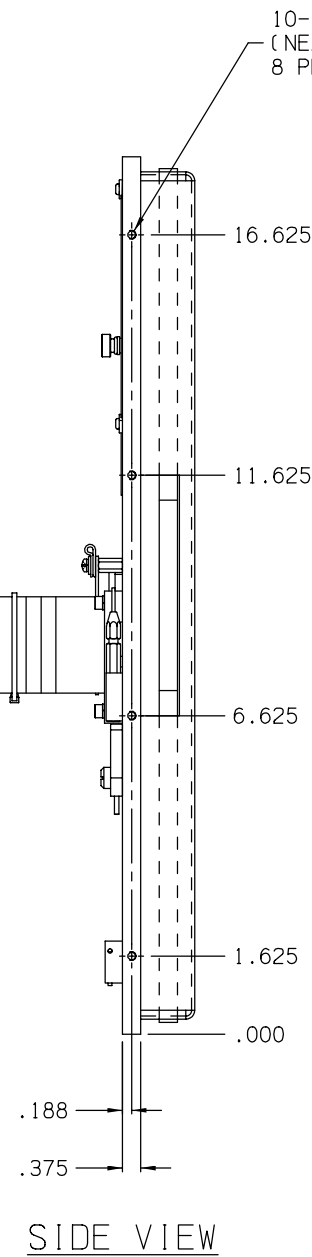
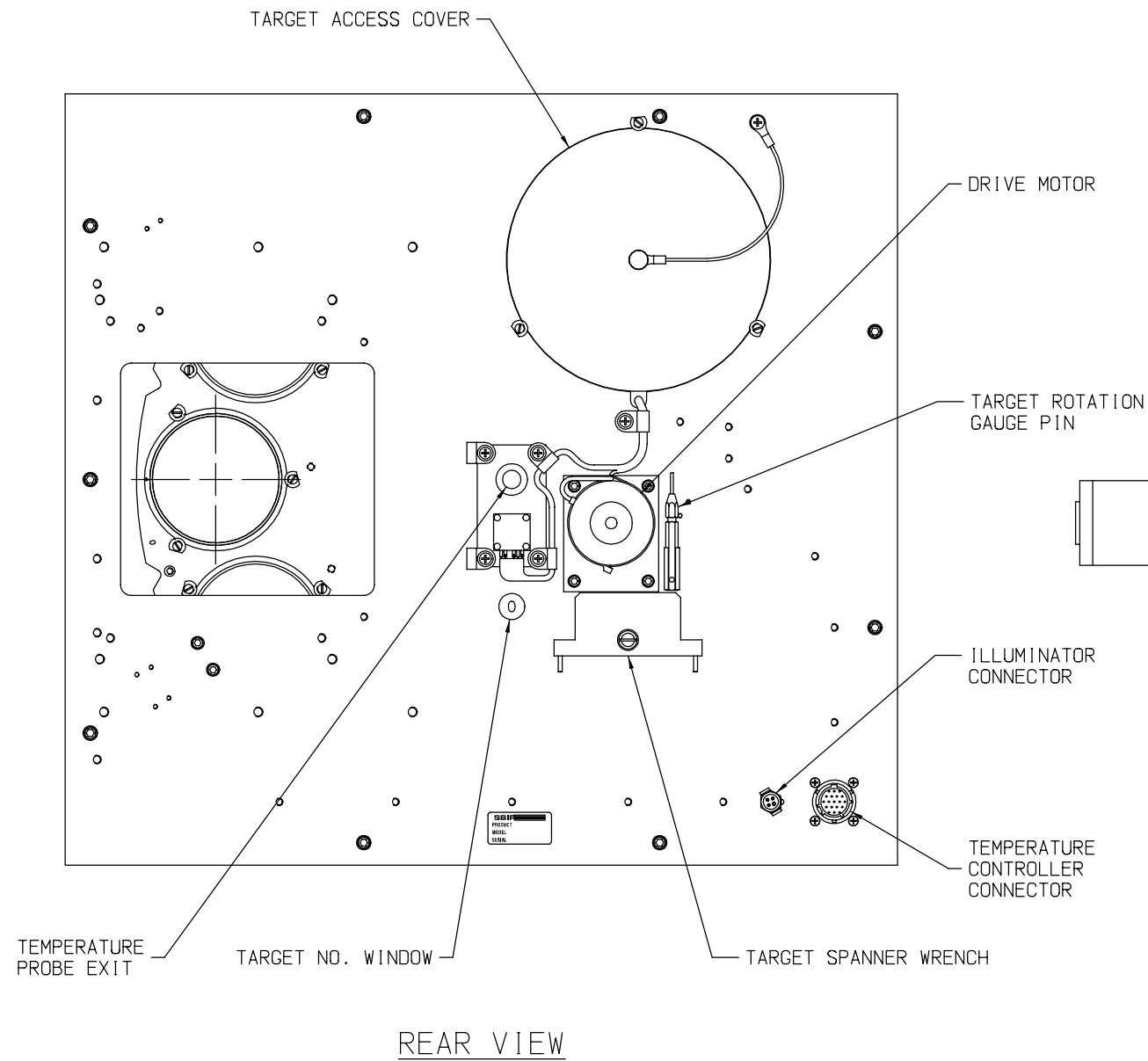
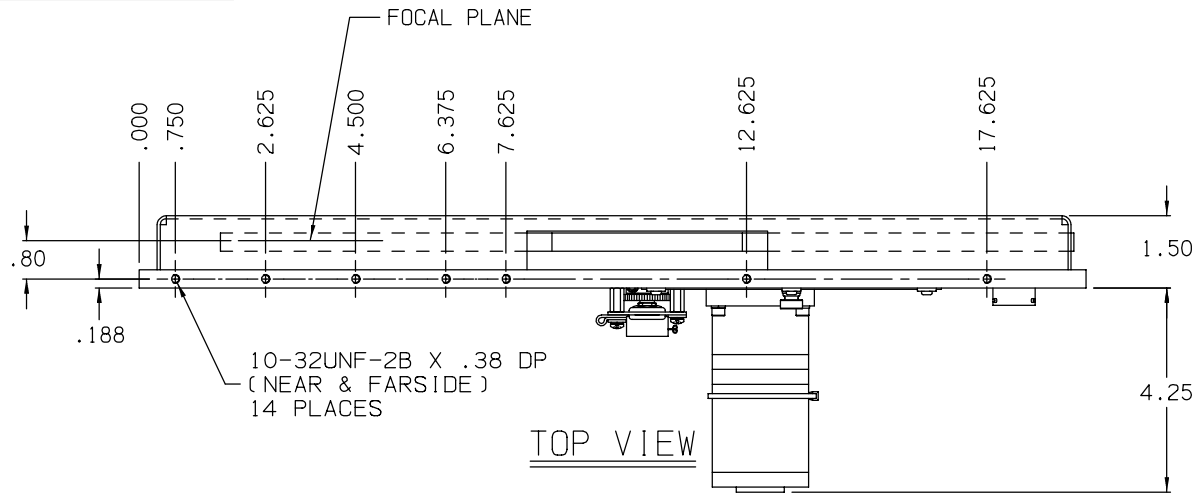


THIS DRAWING CONTAINS PROPRIETARY INFORMATION OF SANTA BARBARA INFRARED INC. (SBIR) AND MAY NOT BE USED FOR THE MANUFACTURE OF ANY PART DISCLOSED HEREIN, NOR DUPLICATED, NOR DISCLOSED TO ANYONE, WITHOUT THE PRIOR WRITTEN PERMISSION OF SBIR.

DRAWN	DRM	RELEASED	EB	DATE	2-12-97	REVISED & REDRAWN - NEW MOTOR	REV	A
-------	-----	----------	----	------	---------	-------------------------------	-----	---



- NOTES:
 1. WEIGHT: APPROX. 23 LBS. WITHOUT TARGETS.

UNLESS OTHERWISE SPECIFIED DIMENSIONS ARE IN INCHES TOLERANCES ARE ± .XX .01 .XXX .005 .XXXX .0005 FRAC. 1/16 ANG. 1/2°	DRAWN	D. MONK	DATE	1-21-94	SBIR SANTA BARBARA INFRARED, INC.	
	CHECKED	R. FROMBERG	DATE	1-24-94		MODEL
	RELEASED	E. B.	DATE	1-24-94	TITLE	12 POSITION TARGET WHEEL OUTLINE
	RELEASED PER EDD NO.	5767	SCALE	1/2	NUMBER	SK-355
DO NOT SCALE FROM DRAWING			SHEET	1 OF 1	REV	A