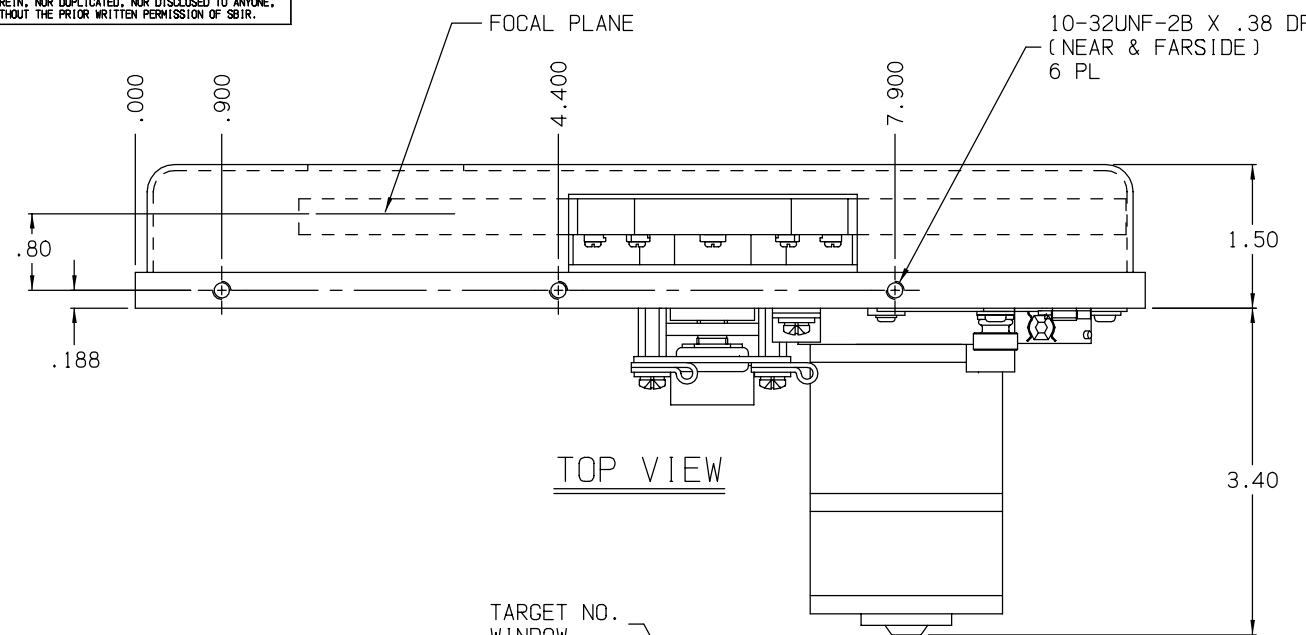
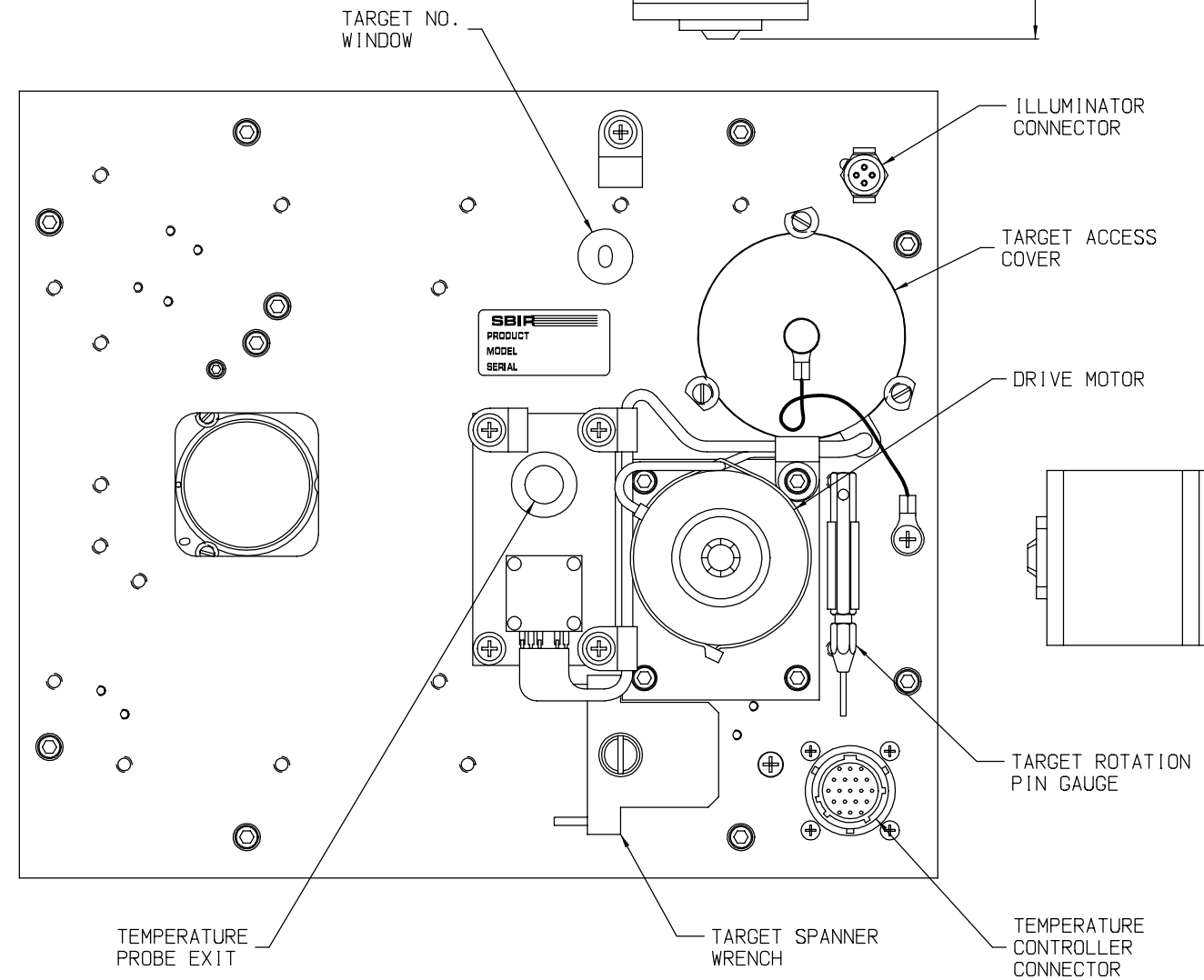


THIS DRAWING CONTAINS PROPRIETARY INFORMATION OF SANTA BARBARA INFRARED INC. (SBIR) AND MAY NOT BE USED FOR THE MANUFACTURE OF ANY PART DISCLOSED HEREIN, NOR DUPLICATED, NOR DISCLOSED TO ANYONE, WITHOUT THE PRIOR WRITTEN PERMISSION OF SBIR.

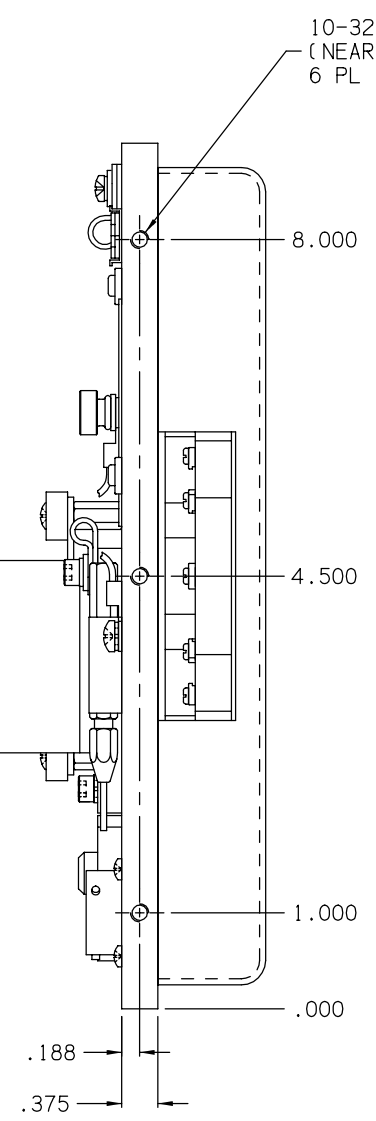
DRAWN	DRM	RELEASED	EB	DATE	2-12-97	REVISED & REDRAWN - NEW MOTOR	REV	A
-------	-----	----------	----	------	---------	-------------------------------	-----	---



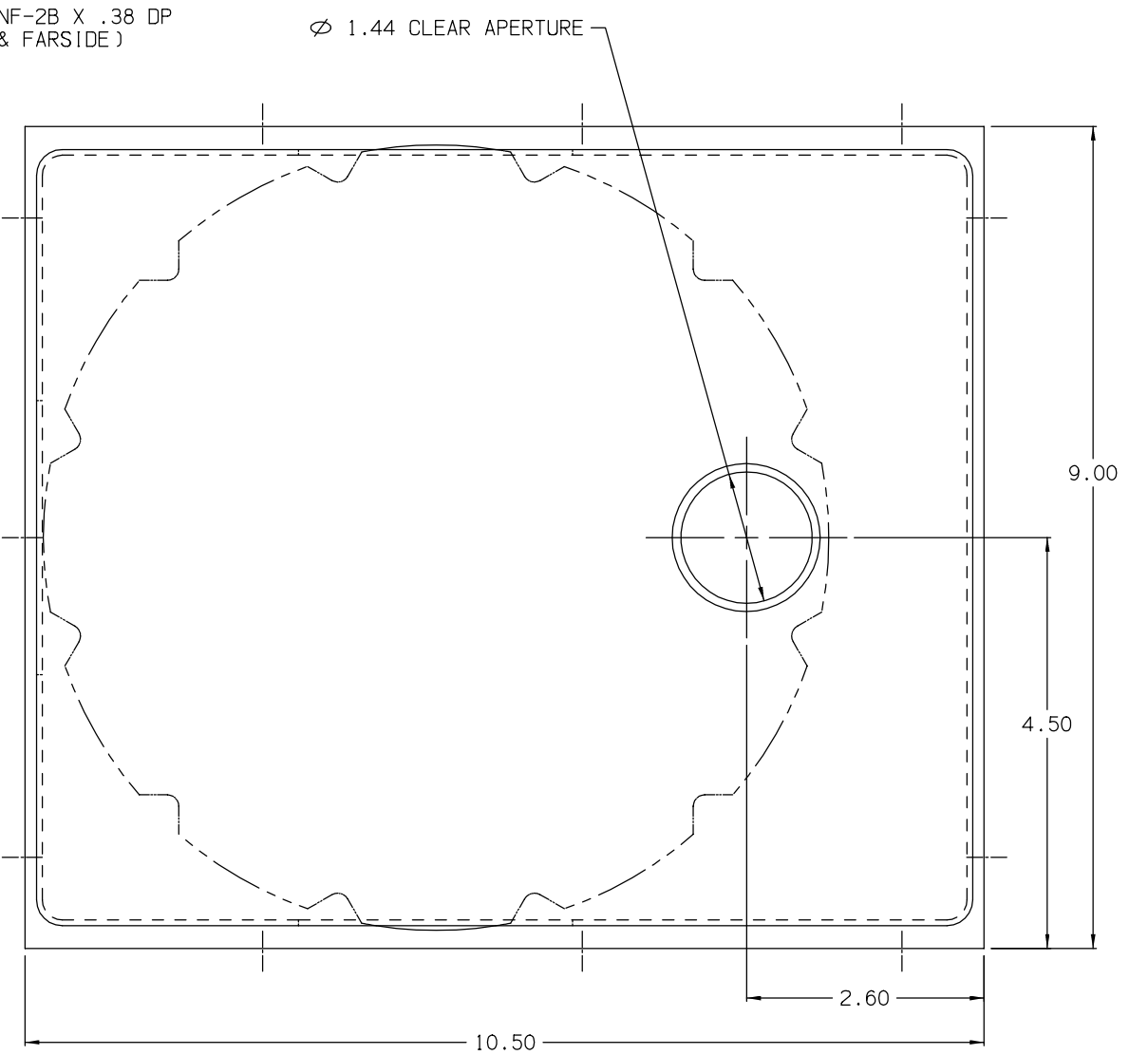
TOP VIEW



REAR VIEW



SIDE VIEW



FRONT VIEW

NOTES:
1. WEIGHT: APPROX. 9 LBS. WITHOUT TARGETS.

MATERIAL		UNLESS OTHERWISE SPECIFIED DIMENSIONS ARE IN INCHES TOLERANCES ARE ±	DRAWN	D. MONK	DATE	7-26-91			
		.XX	CHECKED	R. FROMBERG	DATE	8-14-91		MODEL	314
		.XXX	RELEASED	E. B.	DATE	8-16-91		TITLE	12 POSITION TARGET WHEEL OUTLINE
		.XXXX	RELEASED PER		EDD NO.	2866		NUMBER	SK-298
FRAC.	1/16		SCALE	1/1	SHEET	1 OF 1	REV	A	
ANG.	1/2°		DO NOT SCALE FROM DRAWING						