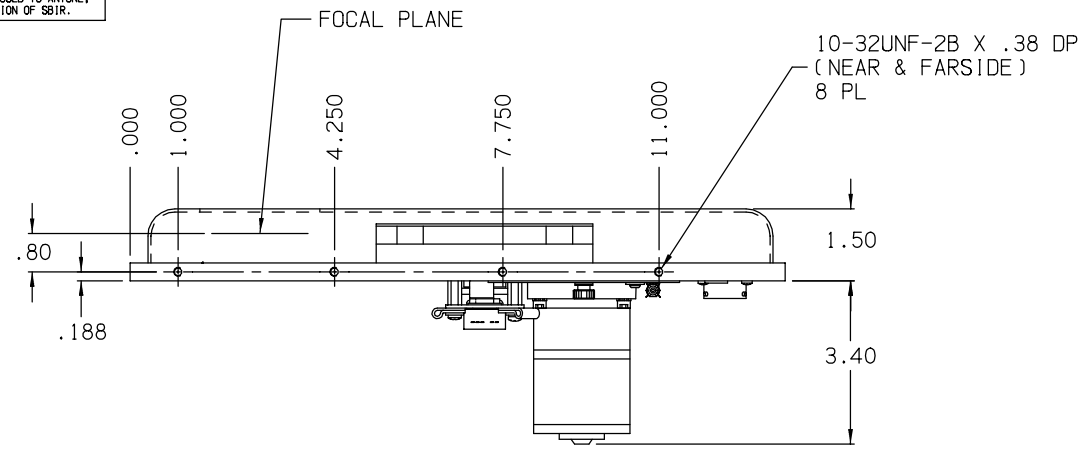
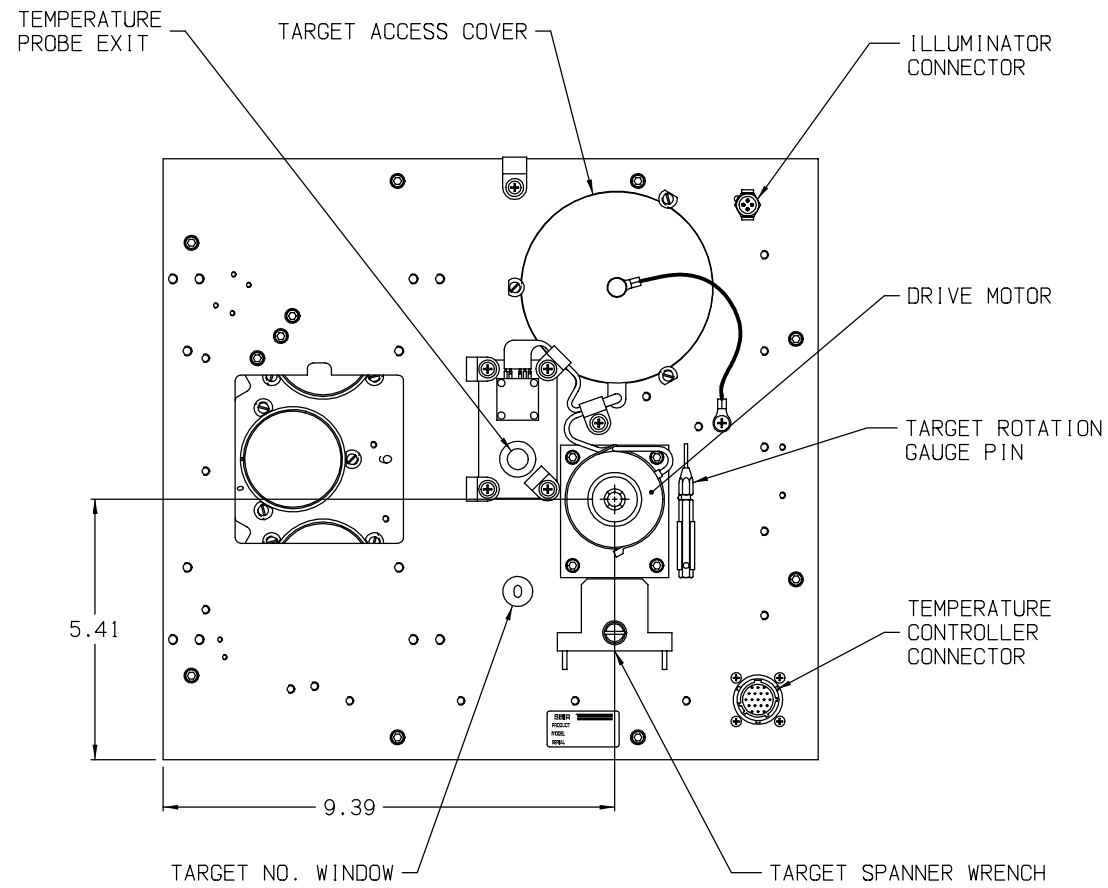


THIS DRAWING CONTAINS PROPRIETARY INFORMATION OF SANTA BARBARA INFRARED, INC. (SBIR) AND MAY NOT BE USED FOR THE MANUFACTURE OF ANY PART DISCLOSED HEREIN, NOR DUPLICATED, NOR DISCLOSED TO ANYONE, WITHOUT THE PRIOR WRITTEN PERMISSION OF SBIR.

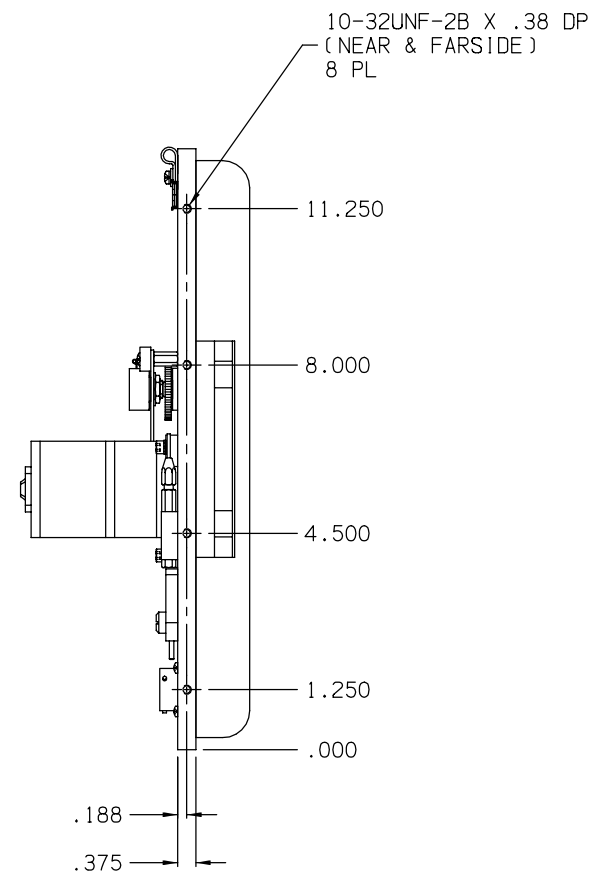
DRAWN	DRM	RELEASED	EB	DATE	2-12-97	REVISED & REDRAWN - NEW MOTOR	REV	B
	RAF					REVISED - ROTATE MOTOR MOUNT		C



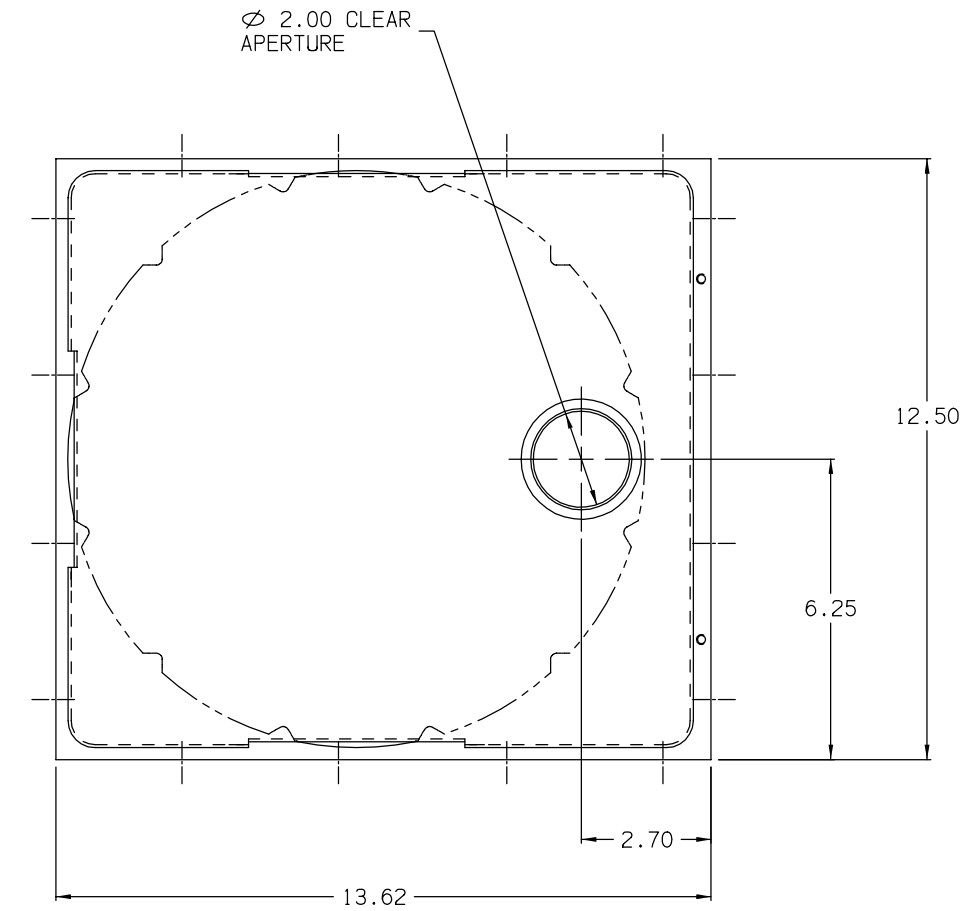
REAR VIEW



REAR VIEW



SIDE VIEW



FRONT VIEW

<small>UNLESS OTHERWISE SPECIFIED DIMENSIONS ARE IN INCHES TOLERANCES ARE ±</small> .XX .01 .XXX .005 .XXXX .0005 FRAC. 1/16 ANG. 1/2°	DRAWN	D. MONK	DATE	10-19-90	 SANTA BARBARA INFRARED, INC.		
	CHECKED	R. FROMBERG	DATE	10-19-90		MODEL	MODEL 312
	RELEASED	E. B.	DATE	10-19-90	TITLE	12 POSITION TARGET WHEEL OUTLINE	
	RELEASED PER EDD NO.	NONE	SCALE	1/2	NUMBER	SK-247	
	DO NOT SCALE FROM DRAWING				SHEET	1 OF 1	REV