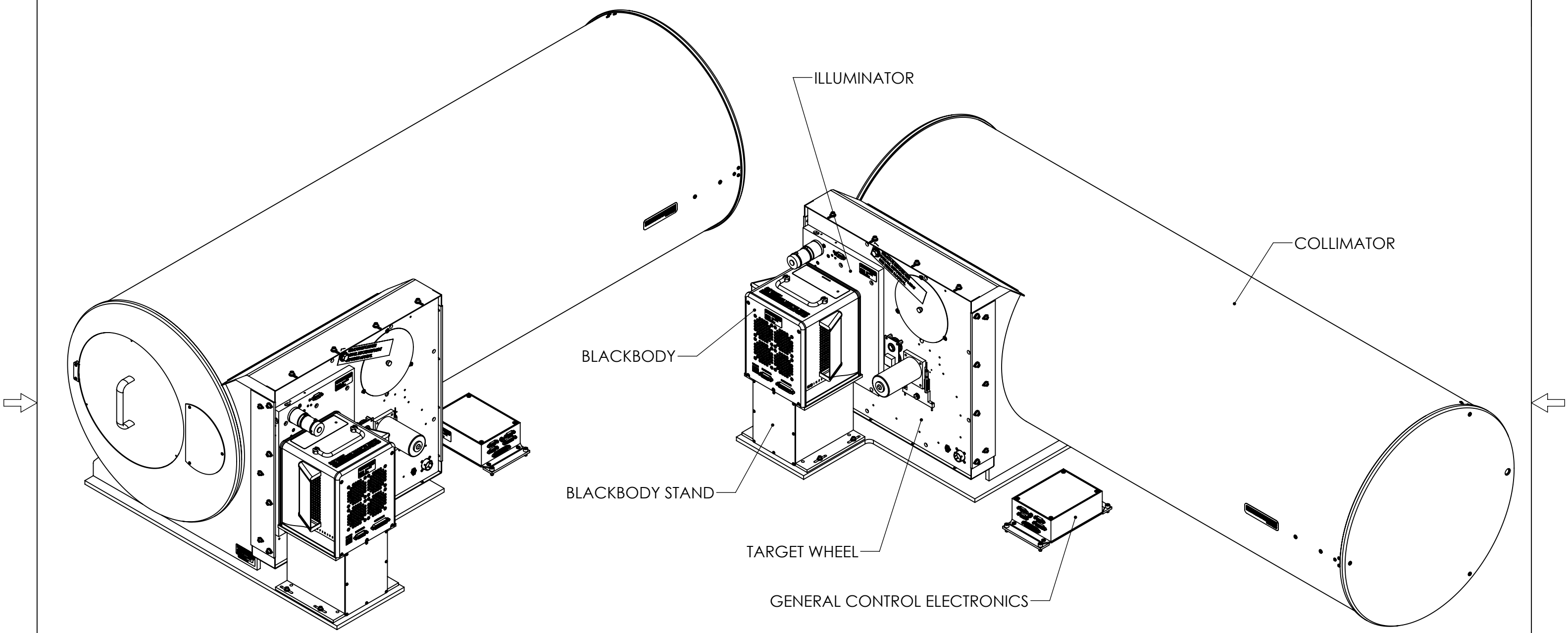


THIS DRAWING CONTAINS PROPRIETARY INFORMATION OF SANTA BARBARA INFRARED INC. (SBIR) AND MAY NOT BE USED FOR THE MANUFACTURE OF ANY PART DISCLOSED HEREIN, NOR DUPLICATED, NOR DISCLOSED TO ANYONE, WITHOUT THE PRIOR WRITTEN PERMISSION OF SBIR.

DRAWN	CHECKED	RELEASED	DATE	REVISED PER ECO	REV



ILLUMINATOR

COLLIMATOR

BLACKBODY

BLACKBODY STAND

TARGET WHEEL

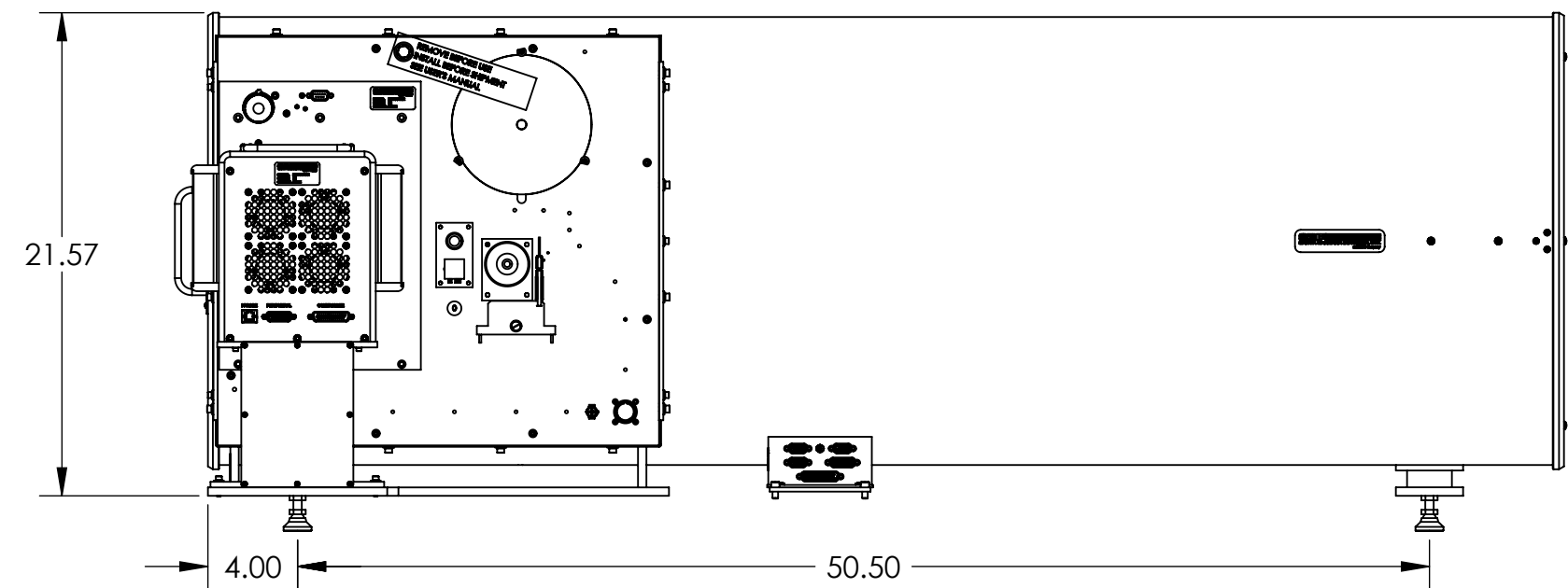
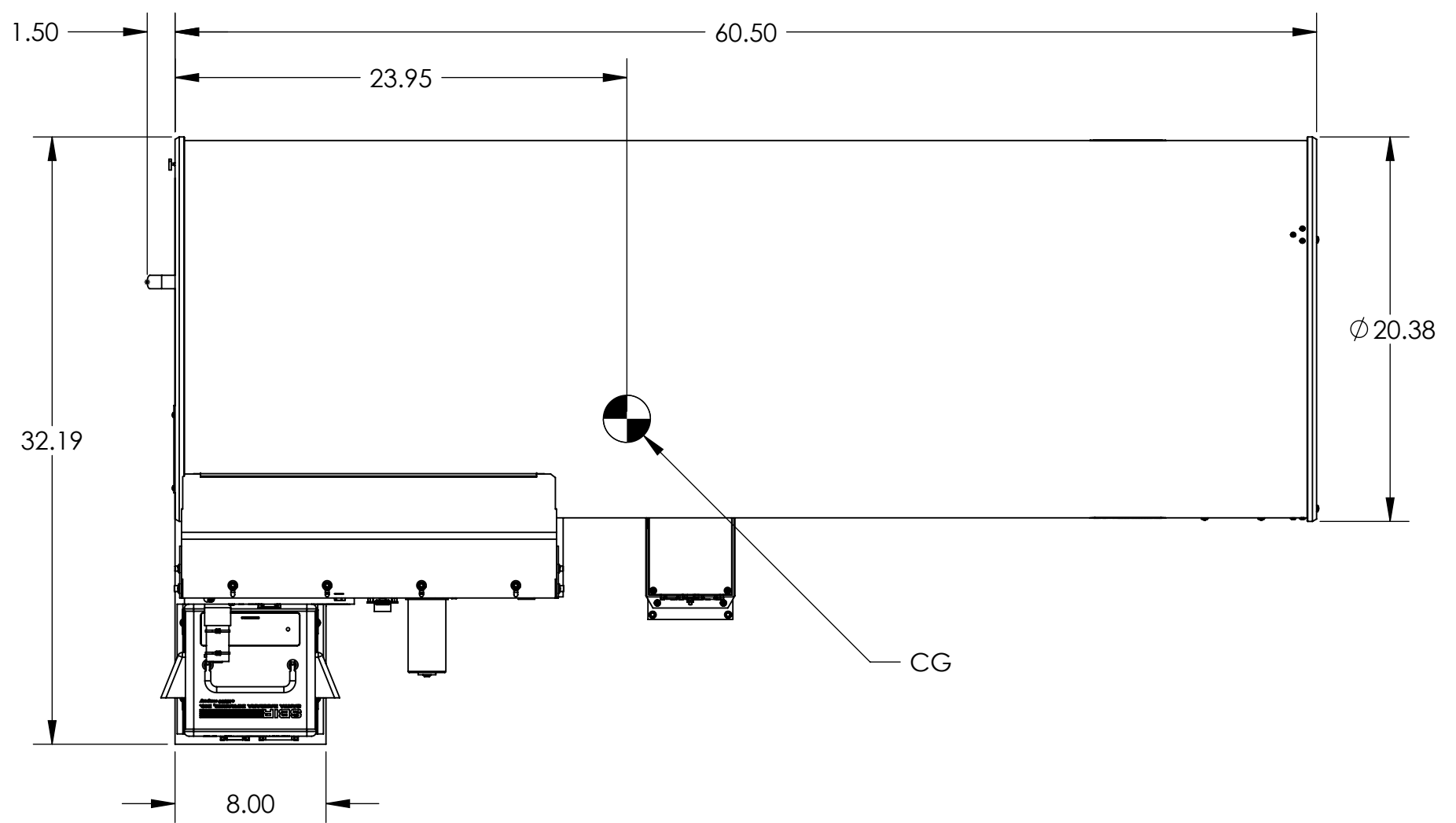
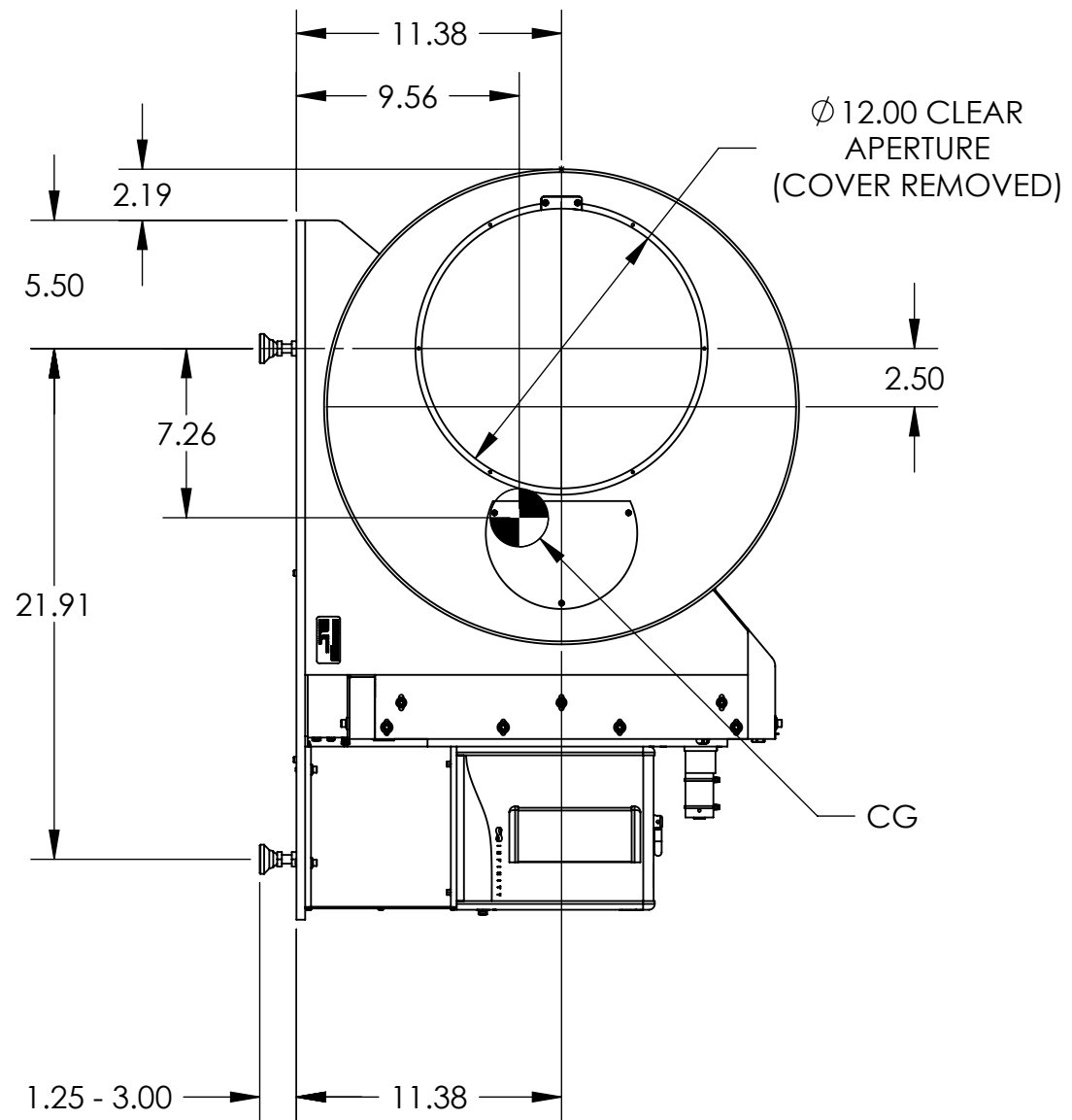
GENERAL CONTROL ELECTRONICS

NOTES: UNLESS OTHERWISE SPECIFIED

1. CONTROLLER AND CABLING NOT SHOWN.
2. ESTIMATED WEIGHT AS SHOWN: 177 LB.

UNLESS OTHERWISE SPECIFIED DIMENSIONS ARE IN INCHES TOLERANCES ARE ±	DRAWN	D. Monk	DATE	1-06-10	<b>SBIR</b> <b>SANTA BARBARA INFRARED, INC.</b> SANTA BARBARA, CA. 93103 a HEICO company								
	CHECKED		DATE										
	.XX	.01	RELEASED		DATE	CAGE CODE: 0B0B2							
	.XXX	.005	RELEASED PER ECO NO.	048352		TITLE	DOC, OUTLINE, TARGET PROJECTOR, 14008ZI						
.XXXX	.0005	SCALE	1:8	SIZE	B	NUMBER	319-000-399	SHEET	1	OF	2	REV	NC
FRAC.	1/16	DO NOT SCALE FROM DRAWING											
ANG.	1/2												

SEE SHEET 1 FOR REVISIONS



TITLE DOC, OUTLINE, TARGET PROJECTOR, 14008ZI				
SCALE	NUMBER	SHEET	OF	REV
1:8	319-000-399	2	2	NC