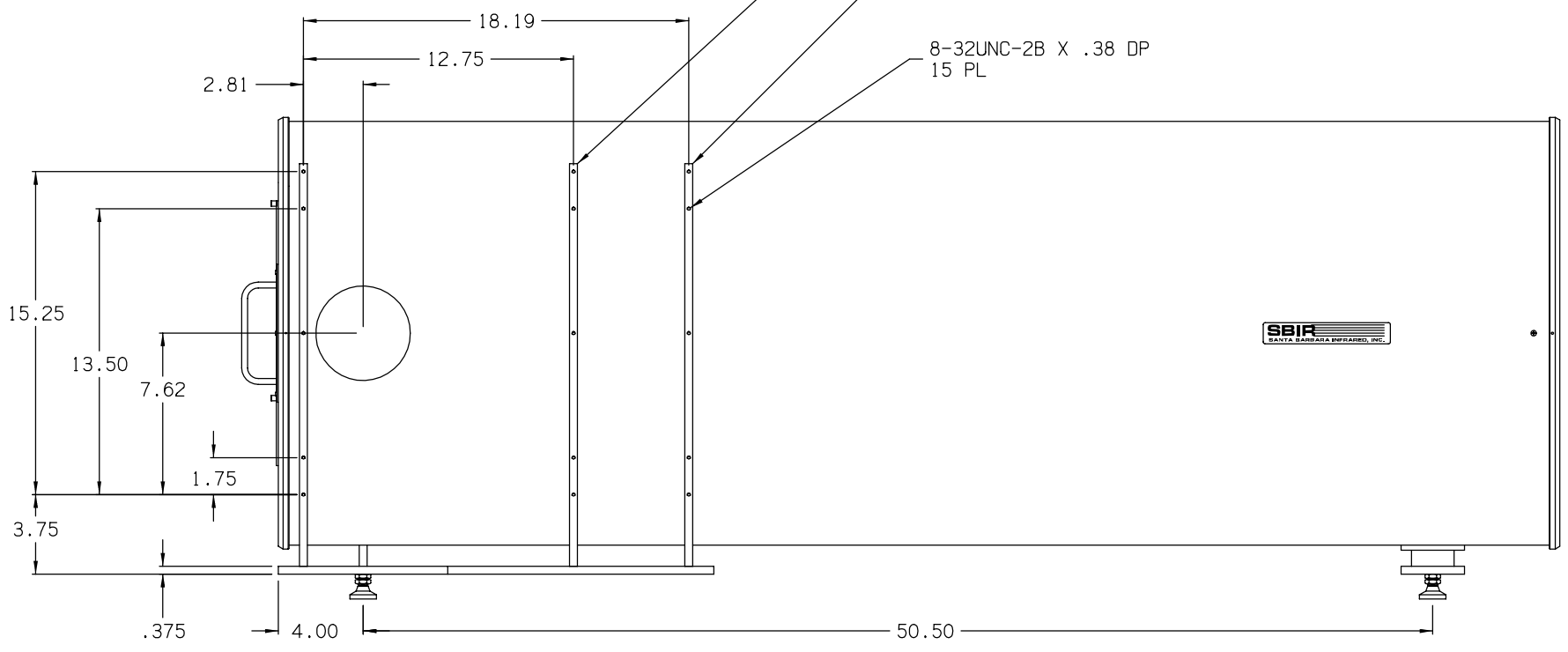
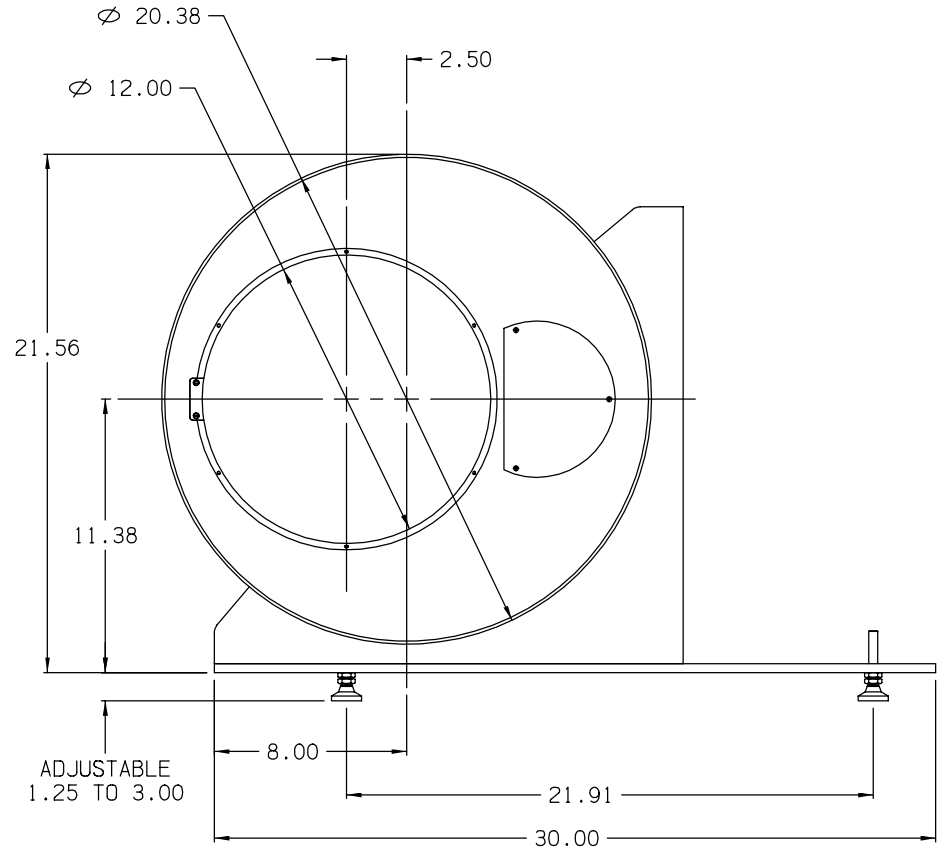
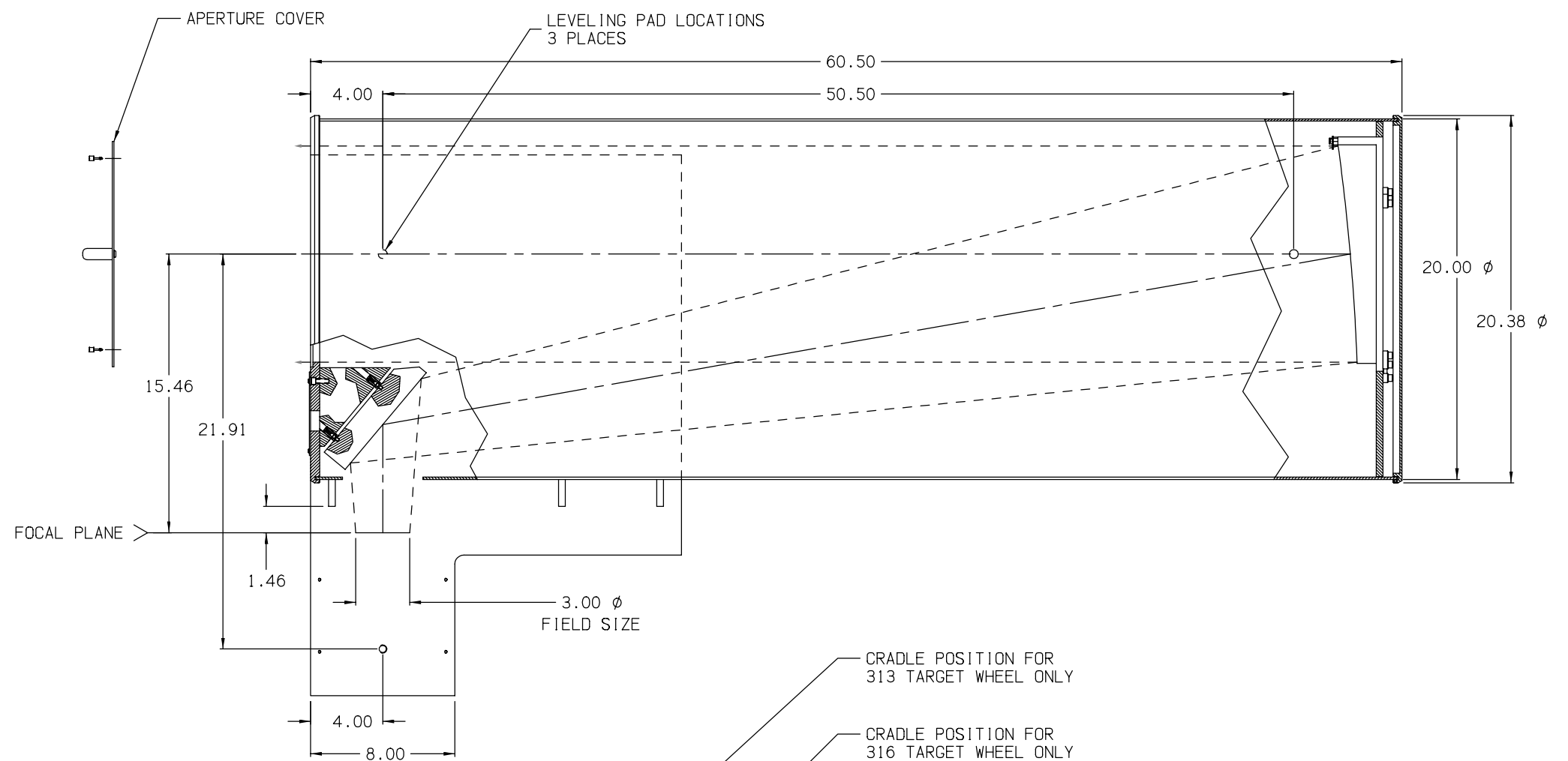


THIS DRAWING CONTAINS PROPRIETARY INFORMATION OF SANTA BARBARA INFRARED, INC. (SBIR) AND MAY NOT BE USED FOR THE MANUFACTURE OF ANY PART DISCLOSED HEREIN, NOR DUPLICATED, NOR DISCLOSED TO ANYONE, WITHOUT THE PRIOR WRITTEN PERMISSION OF SBIR.

- NOTES:
1. PRIMARY MIRROR SPECIFICATIONS: 60.00 FOCAL LENGTH
12.00 CLEAR APERTURE
10.50 ZONAL RADIUS
 2. WEIGHT: APPROX. 132 LBS.



MATERIAL		UNLESS OTHERWISE SPECIFIED DIMENSIONS ARE IN INCHES TOLERANCES ARE ±	DRAWN D. MONK	DATE 3-11-94	
		.XX .01	CHECKED R. FROMBERG	DATE 3-14-94	
		.XXX .005	RELEASED E. B.	DATE 3-16-94	
		FRAC. 1/16 ANG. 1/2"	RELEASED PER ECO NO. 5881		
NEXT ASSY	USED ON	DO NOT SCALE FROM DRAWING	SCALE 1/4	NUMBER SK-357	TITLE OUTLINE
APPLICATION				SHEET 1 OF 1	REV NC