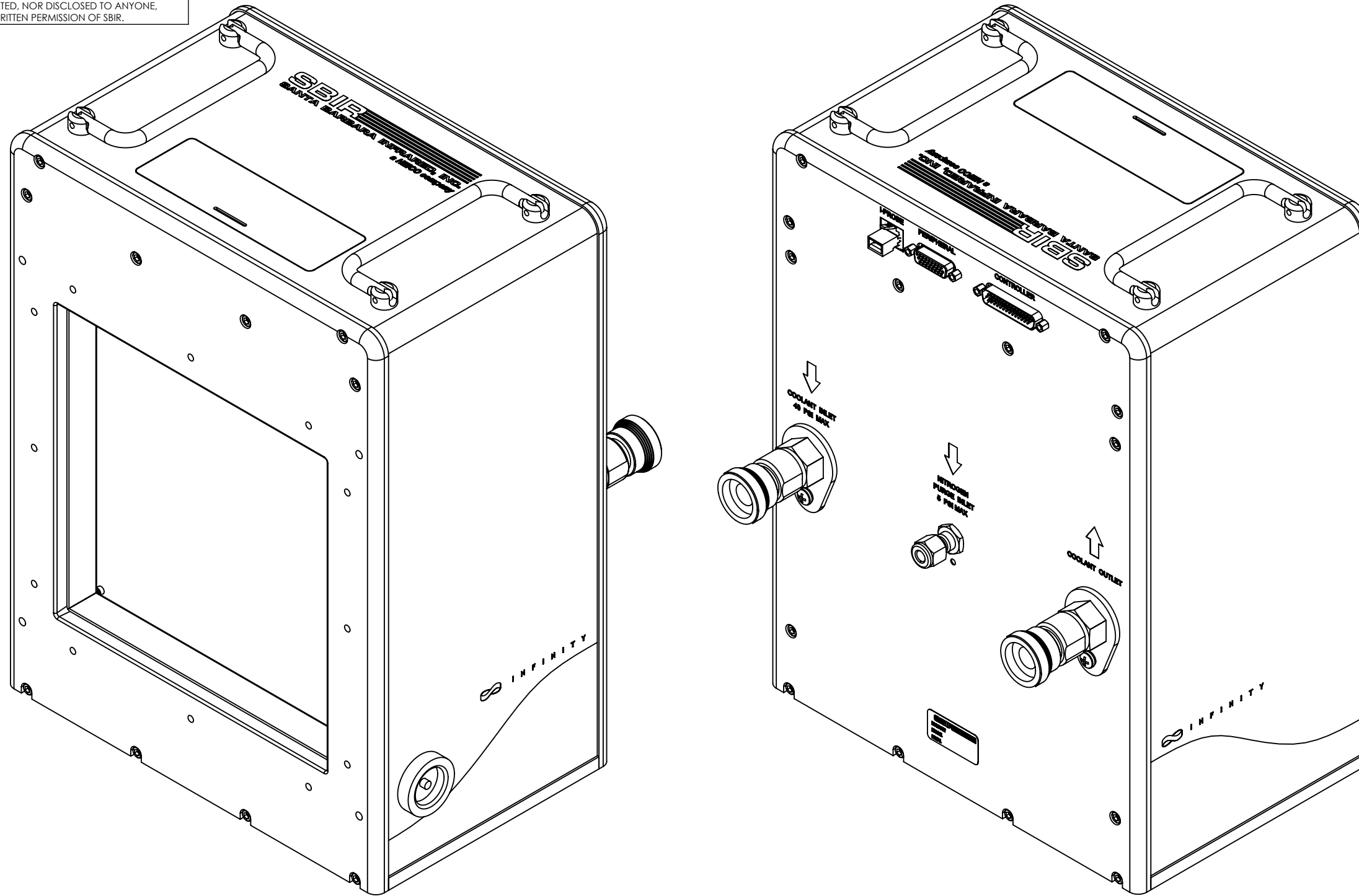


THIS DRAWING CONTAINS PROPRIETARY INFORMATION OF SANTA BARBARA INFRARED, INC. (SBIR) AND MAY NOT BE USED FOR THE MANUFACTURE OF ANY PART DISCLOSED HEREIN, NOR DUPLICATED, NOR DISCLOSED TO ANYONE, WITHOUT THE PRIOR WRITTEN PERMISSION OF SBIR.

| | | | | |
|-------|----------|------|-----------------|-----|
| DRAWN | RELEASED | DATE | REVISED PER ECO | REV |
| | | | | |



NOTES: UNLESS OTHERWISE SPECIFIED

1. SEE DRAWING NO. 600-214 FOR INSULATED HOSE ASSEMBLY THAT MATES WITH THIS BLACKBODY.

| | | | | | | | | |
|-------------|--|---|----------------------|-----------------|-----------------------|---|--|-------|
| MATERIAL | | UNLESS OTHERWISE SPECIFIED DIMENSIONS ARE IN INCHES TOLERANCES ARE ± .XX .01 .XXX .005 .XXXX .0005 FRAC. 1/16 ANG. 1/2 DO NOT SCALE FROM DRAWING | DRAWN D. Monk | DATE 4-09-07 | | | | |
| | | | CHECKED | DATE | | | | MODEL |
| | | | RELEASED | DATE | TITLE | | | |
| | | | RELEASED PER ECO NO. | 045982 | | DWG, OUTLINE, 8 INCH COLD INFINITY BLACKBODY | | |
| NEXT ASSY | | | USED ON | SCALE 2:5 | NUMBER 319-000-007 | | | |
| APPLICATION | | | | | | | | |

