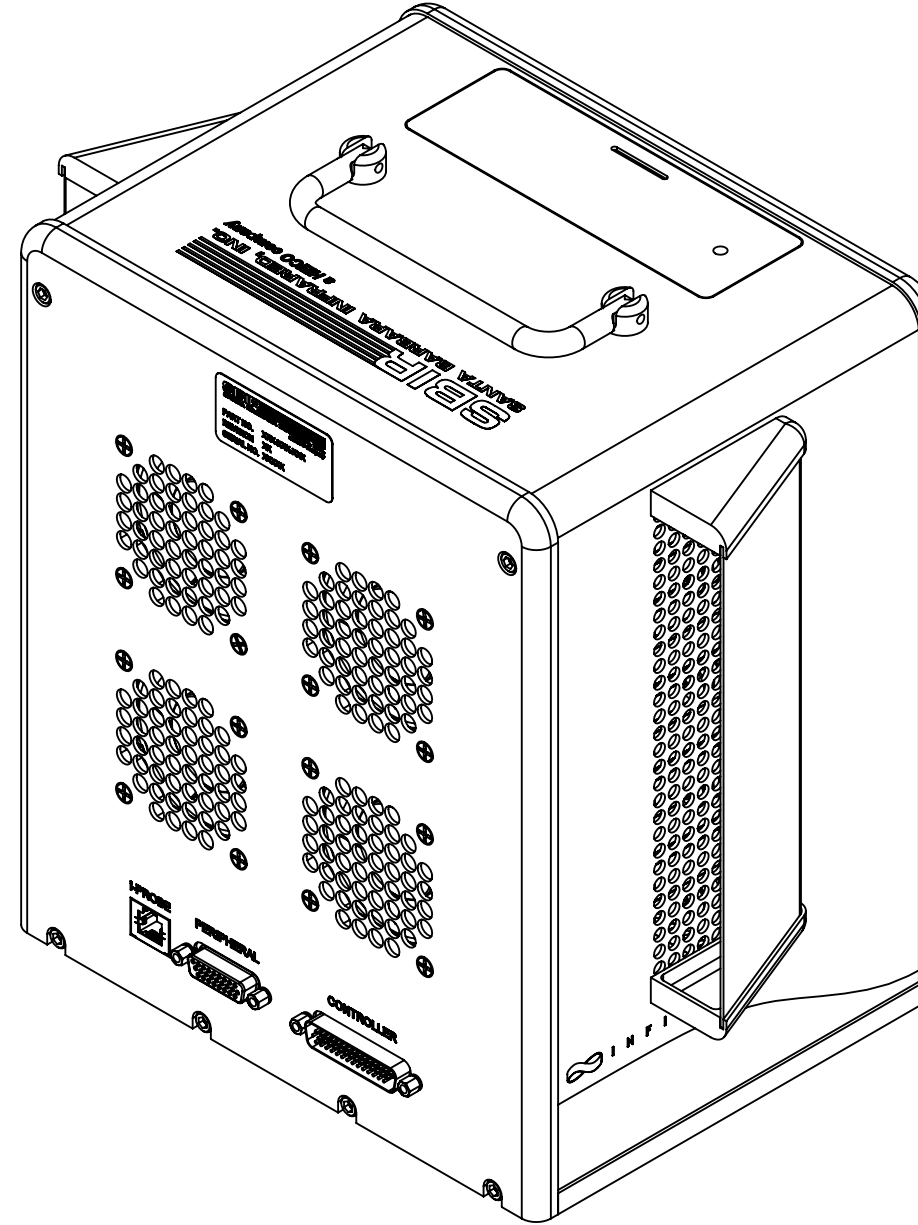
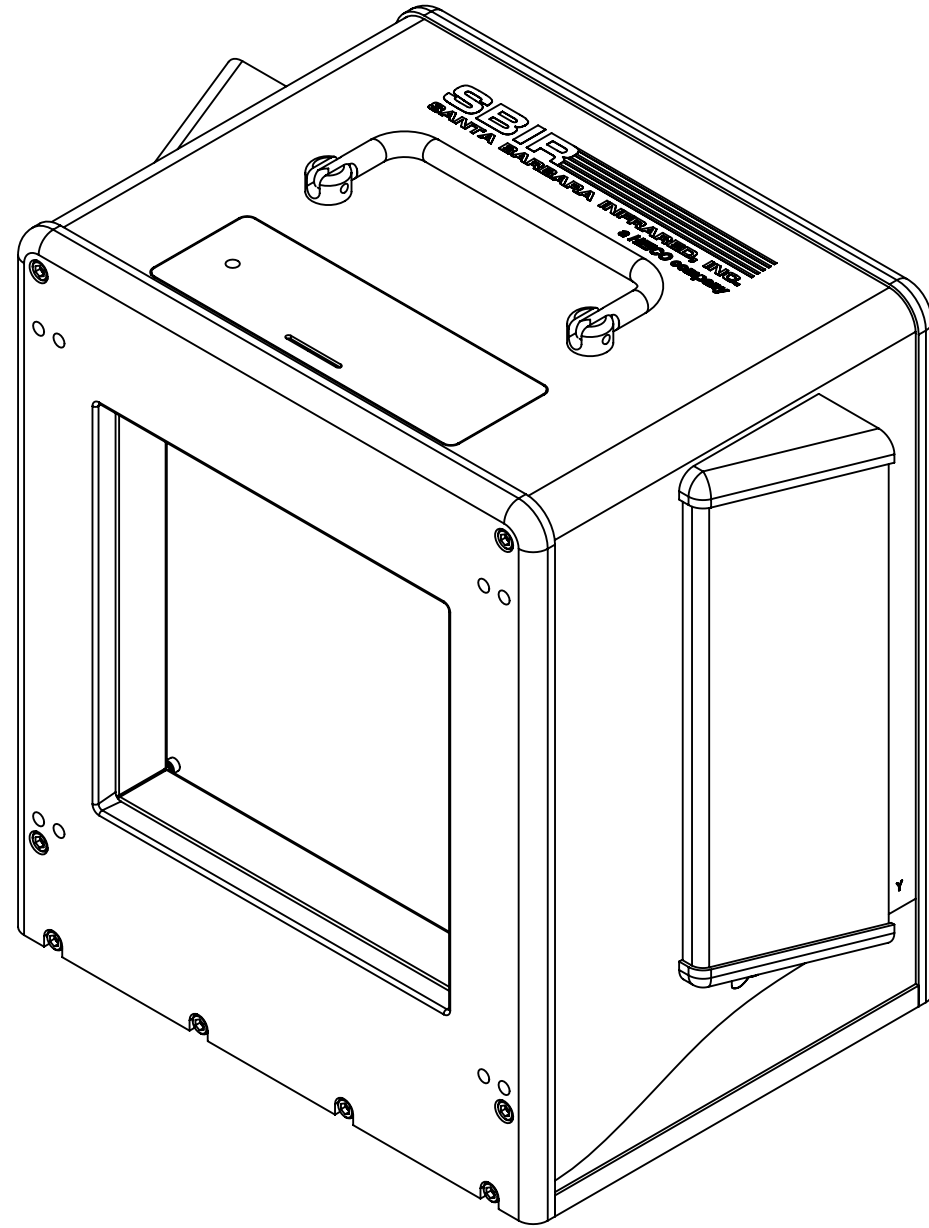


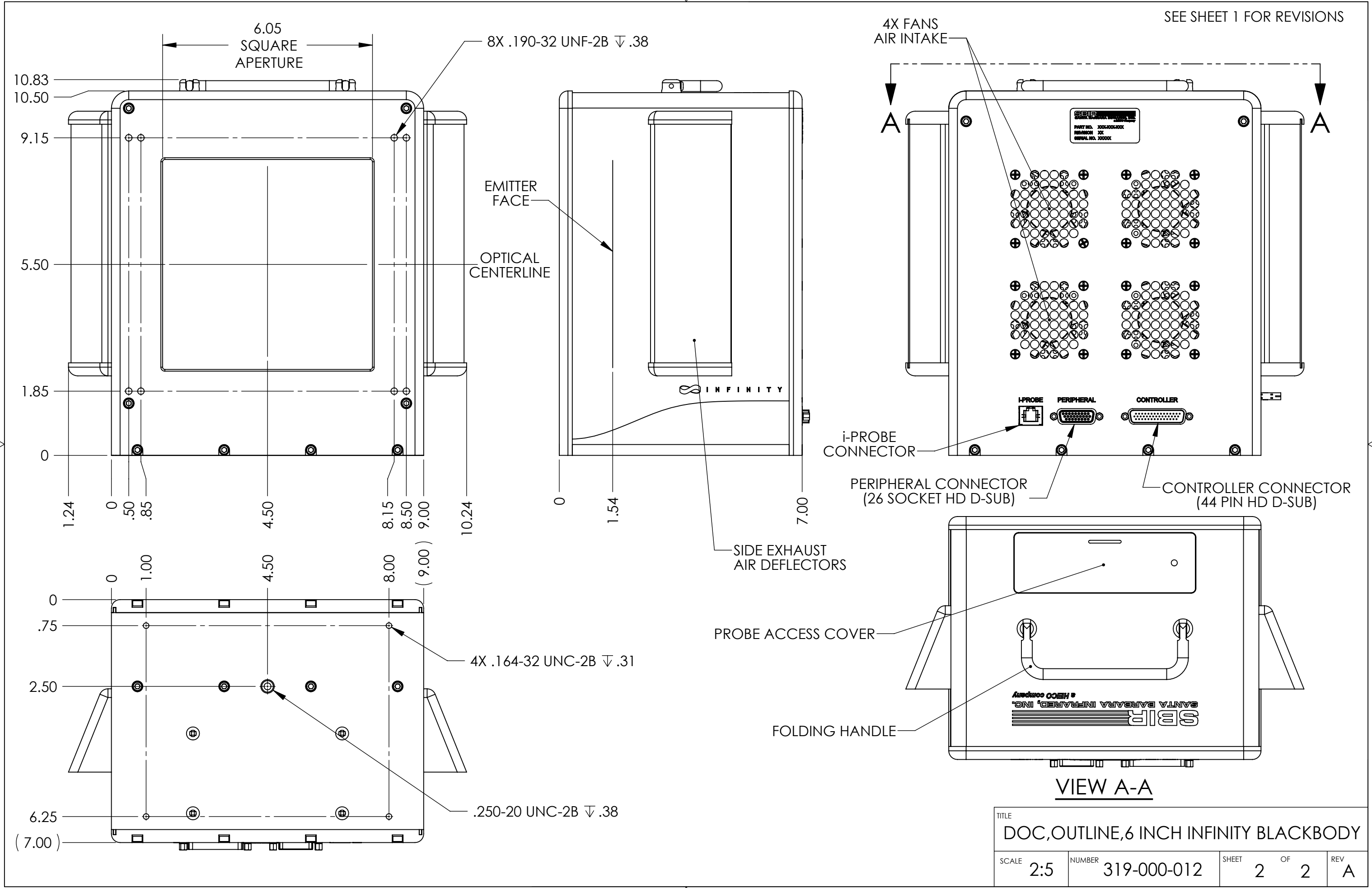
THIS DRAWING CONTAINS PROPRIETARY INFORMATION OF SANTA BARBARA INFRARED INC. (SBIR) AND MAY NOT BE USED FOR THE MANUFACTURE OF ANY PART DISCLOSED HEREIN, NOR DUPLICATED, NOR DISCLOSED TO ANYONE, WITHOUT THE PRIOR WRITTEN PERMISSION OF SBIR.

DRAWN	RELEASED	DATE	REVISED PER ECO	REV
DRM			046617	A



NOTES: UNLESS OTHERWISE SPECIFIED

MATERIAL		UNLESS OTHERWISE SPECIFIED DIMENSIONS ARE IN INCHES TOLERANCES ARE ± .XX .01 .XXX .005 .XXXX .0005 FRAC. 1/16 ANG. 1/2	DRAWN	D. Monk	DATE	5-09-07		
			CHECKED	E. Kayda	DATE	5-21-07		MODEL
			RELEASED	J. LaVeigne	DATE	6-14-07		TITLE
				RELEASED PER ECO NO.		046040		DOC, OUTLINE, 6 INCH INFINITY BLACKBODY
NEXT ASSY	USED ON		DO NOT SCALE FROM DRAWING	SCALE	3:7	NUMBER	319-000-012	SHEET 1 OF 2 REV A
APPLICATION								



TITLE				
DOC,OUTLINE,6 INCH INFINITY BLACKBODY				
SCALE	NUMBER	SHEET	OF	REV
2:5	319-000-012	2	2	A