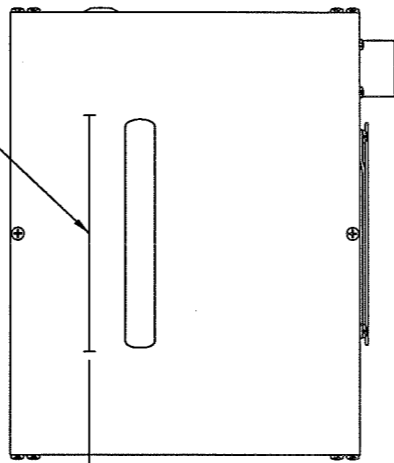


THIS DRAWING CONTAINS PROPRIETARY INFORMATION OF SANTA BARBARA INFRARED INC. (SBIR) AND MAY NOT BE USED FOR THE MANUFACTURE OF ANY PART DISCLOSED HEREIN, NOR DUPLICATED, NOR DISCLOSED TO ANYONE, WITHOUT THE PRIOR WRITTEN PERMISSION OF SBIR.

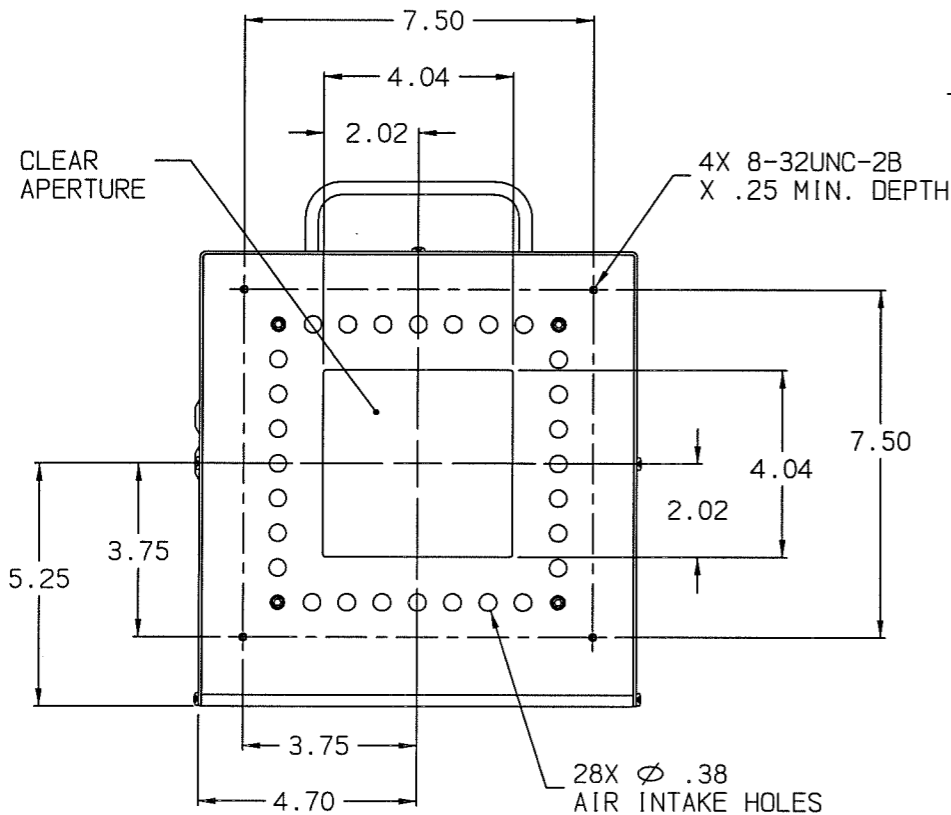
NOTES:

1. WEIGHT: 18.0 LBS.

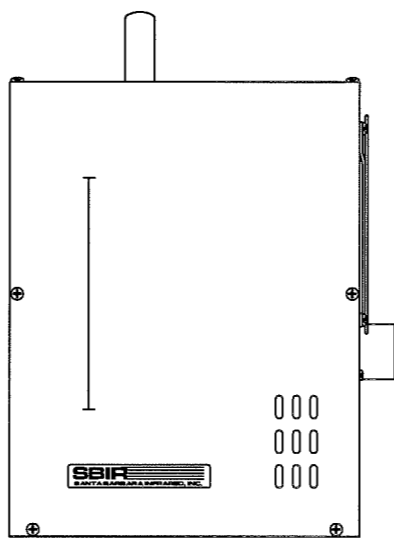
EMITTER FACE



TOP VIEW

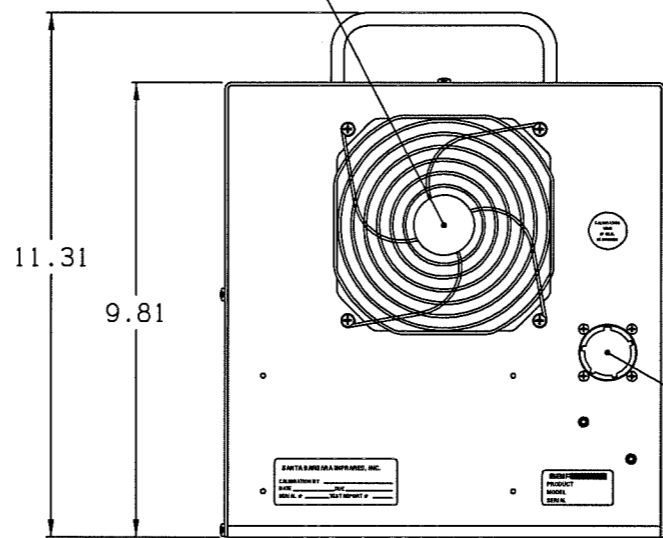


FRONT VIEW



RIGHT SIDE VIEW

AIR EXHAUST

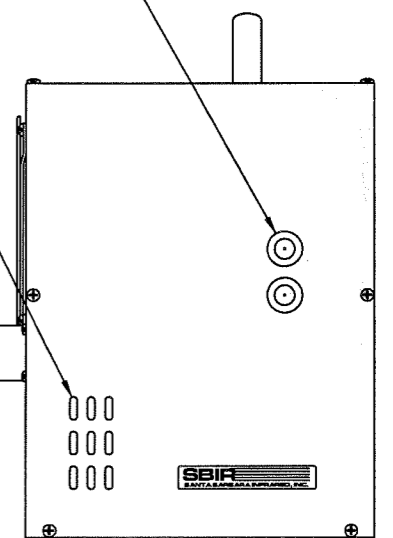


REAR VIEW

REMOVABLE HOLE PLUGS
TEMPERATURE PROBE HOLES

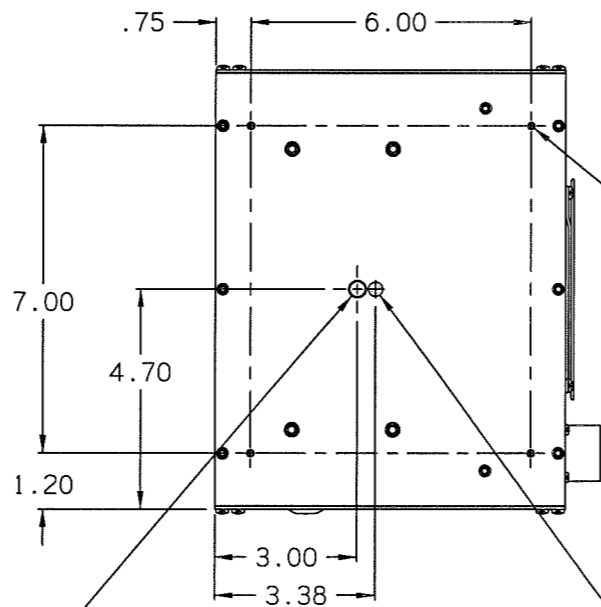
AIR INTAKE HOLES
(BOTH SIDES)

TEMPERATURE
CONTROLLER
CONNECTOR



LEFT SIDE VIEW

28X Ø .38
AIR INTAKE HOLES



BOTTOM VIEW

4X 8-32UNC-2B
X .25 MIN. DEPTH

1/4-20UNC-2B
X .31 MIN. DEPTH

MATERIAL		UNLESS OTHERWISE SPECIFIED DIMENSIONS ARE IN INCHES TOLERANCES ARE ±		DRAWN D. MONK	DATE 1-27-98	
				CHECKED <i>[Signature]</i>	DATE 9/29/98	
				RELEASED <i>[Signature]</i>	DATE 7-1-98	MODEL 11304
				FRAC. 1/16	RELEASED PER GEO. NO.	TITLE 4 INCH HIGH TEMP 600°C BLACKBODY OUTLINE
				ANG. 1/2"	NONE	NUMBER SK517
NEXT ASSY APPLICATION	USED ON	DO NOT SCALE FROM DRAWING	SCALE 1/2	SHEET 1 OF 1		REV NC

ORIGINAL