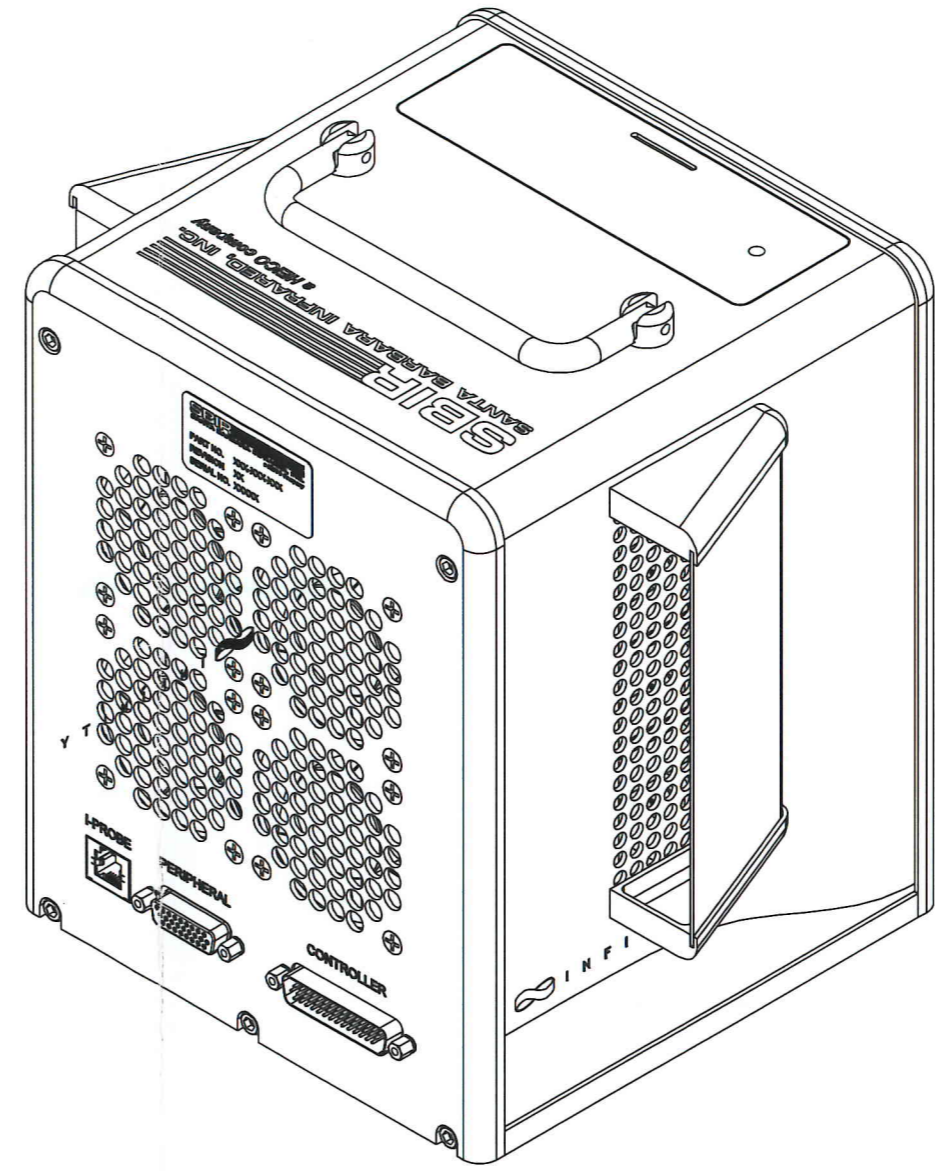
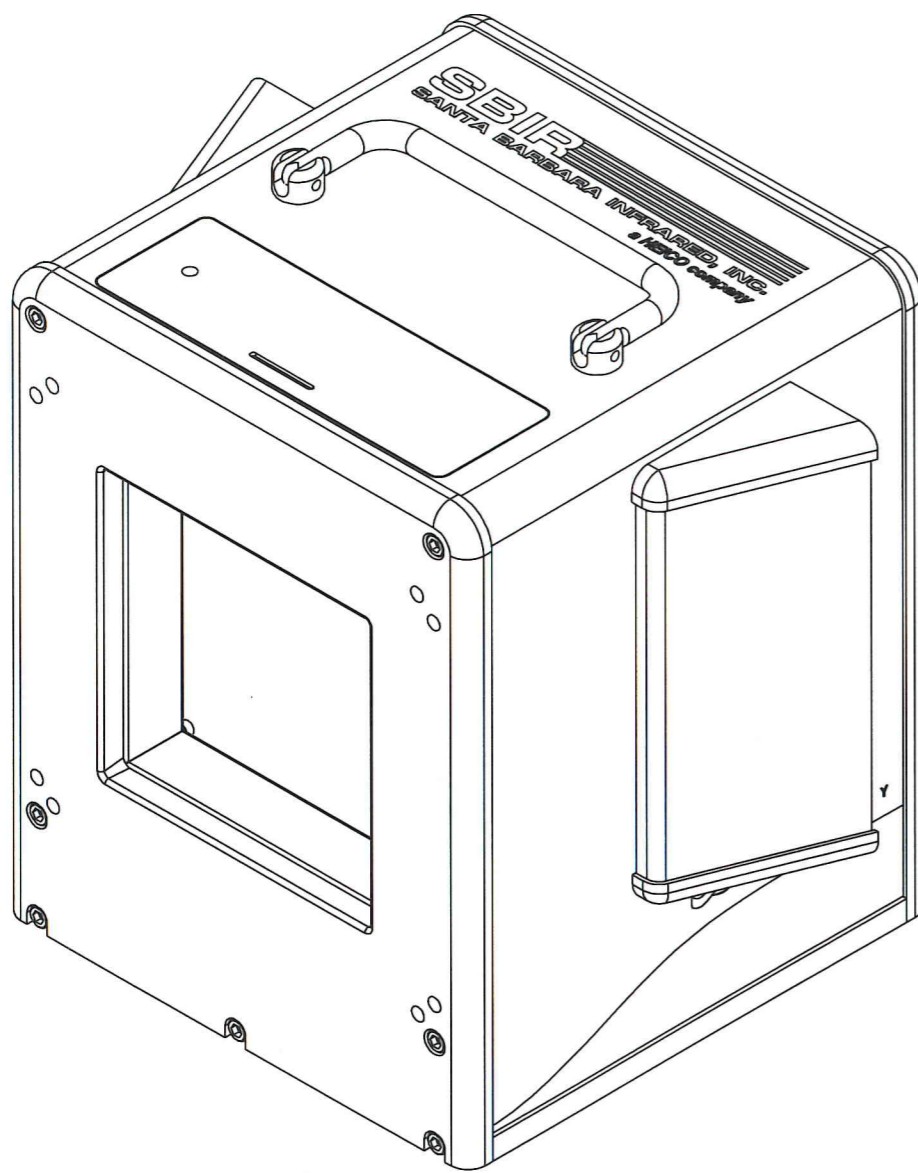


THIS DRAWING CONTAINS PROPRIETARY INFORMATION OF SANTA BARBARA INFRARED INC. (SBIR) AND MAY NOT BE USED FOR THE MANUFACTURE OF ANY PART DISCLOSED HEREIN, NOR DUPLICATED, NOR DISCLOSED TO ANYONE, WITHOUT THE PRIOR WRITTEN PERMISSION OF SBIR.

DRAWN	RELEASED	DATE	REVISED PER ECO	REV
DRM	DRM	9-20-07	046330	A



NOTES: UNLESS OTHERWISE SPECIFIED

MATERIAL	UNLESS OTHERWISE SPECIFIED DIMENSIONS ARE IN INCHES TOLERANCES ARE ±	DRAWN D. Monk	DATE 8-03-07	SBIR SANTA BARBARA INFRARED, INC
	.XX .01	CHECKED B. Lunt	DATE 8-07-07	
	.XXX .005	RELEASED B. Lunt	DATE 8-07-07	MODEL
	.XXXX .0005	RELEASED PER ECO NO. 046277		TITLE DOC, OUTLINE, 4 INCH INFINITY BLACKBODY
	FRAC. 1/16			
	ANG. 1/2			
NEXT ASSY	USED ON	SCALE 1:2	NUMBER 319-000-028	SHEET 1 OF 2
APPLICATION	DO NOT SCALE FROM DRAWING			REV A



SEE SHEET 1 FOR REVISIONS

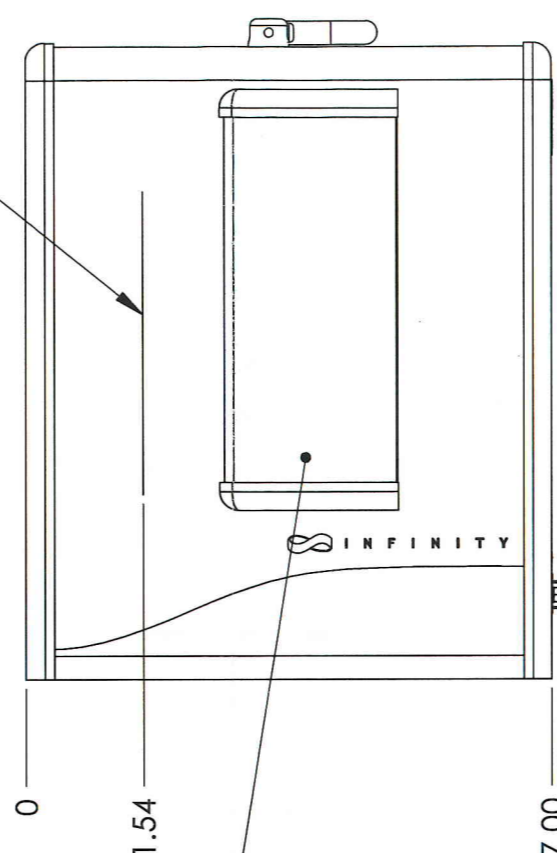
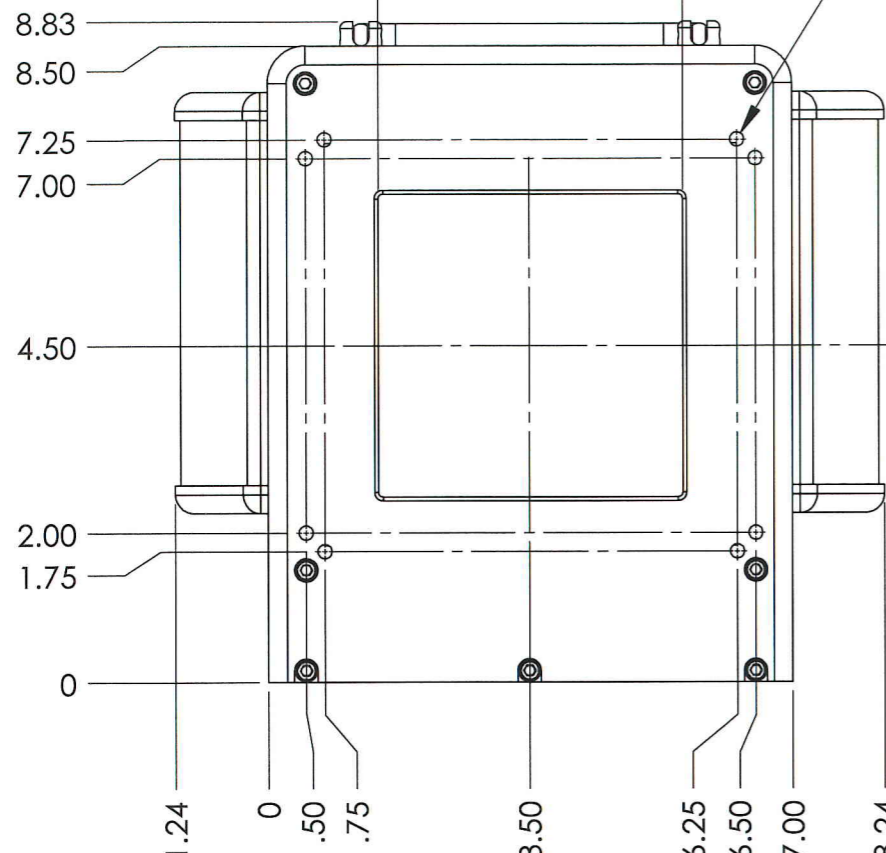
4X FANS
AIR INTAKE

A

A

4.05
SQUARE
APERTURE

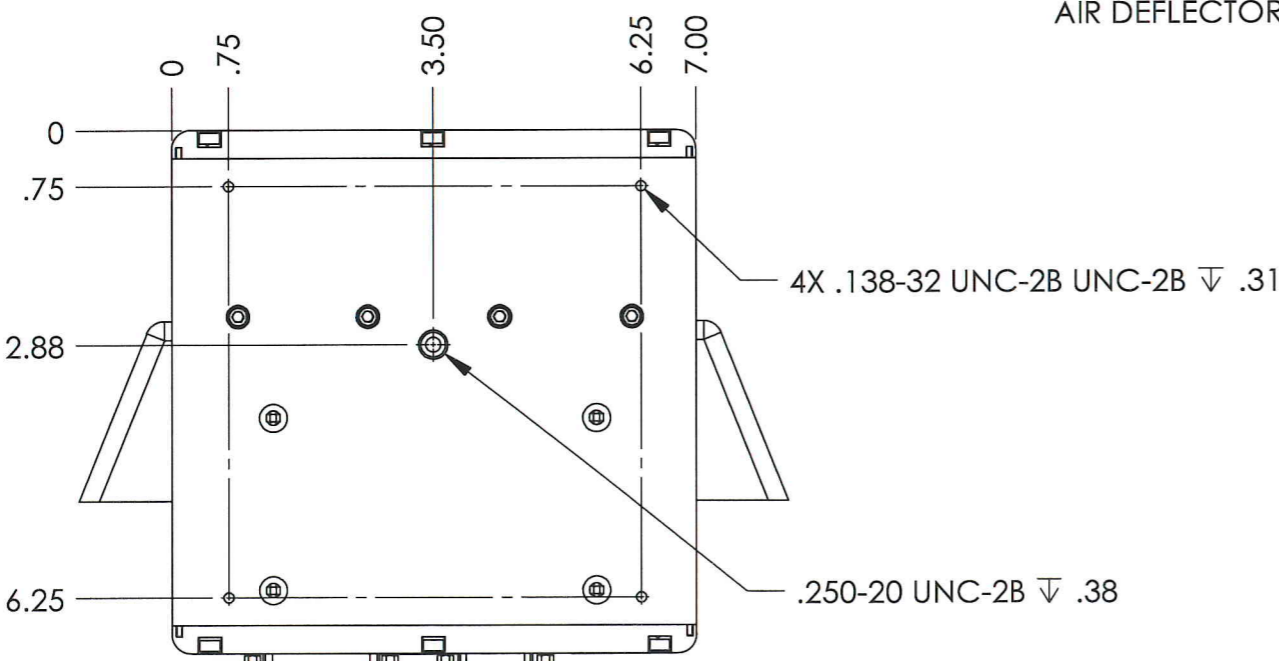
8X 10-32 UNC-2B ∇ .25



I-PROBE
TEMPERATURE SENSOR
CONNECTOR

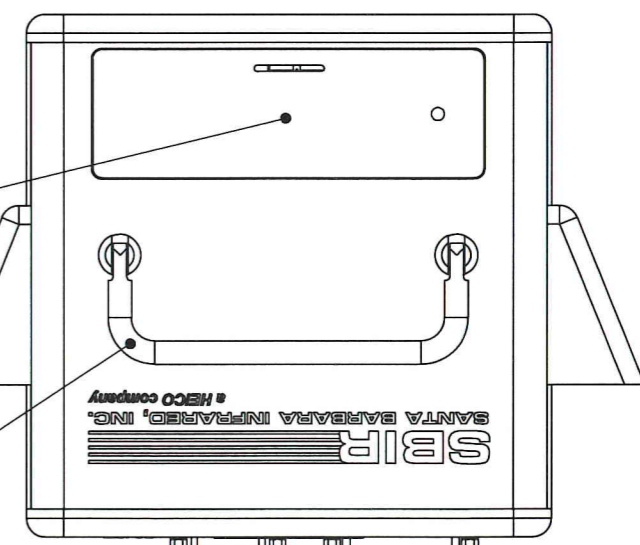
PERIPHERAL
CONNECTOR
(26 SOCKET HD D-SUB)

CONTROLLER
CONNECTOR
(44 PIN HD D-SUB)



PROBE ACCESS COVER

FOLDING HANDLE



VIEW A-A

TITLE				
DOC, OUTLINE, 4 INCH INFINITY BLACKBODY				
SCALE	NUMBER	SHEET	OF	REV
2:5	319-000-028	2	2	A

