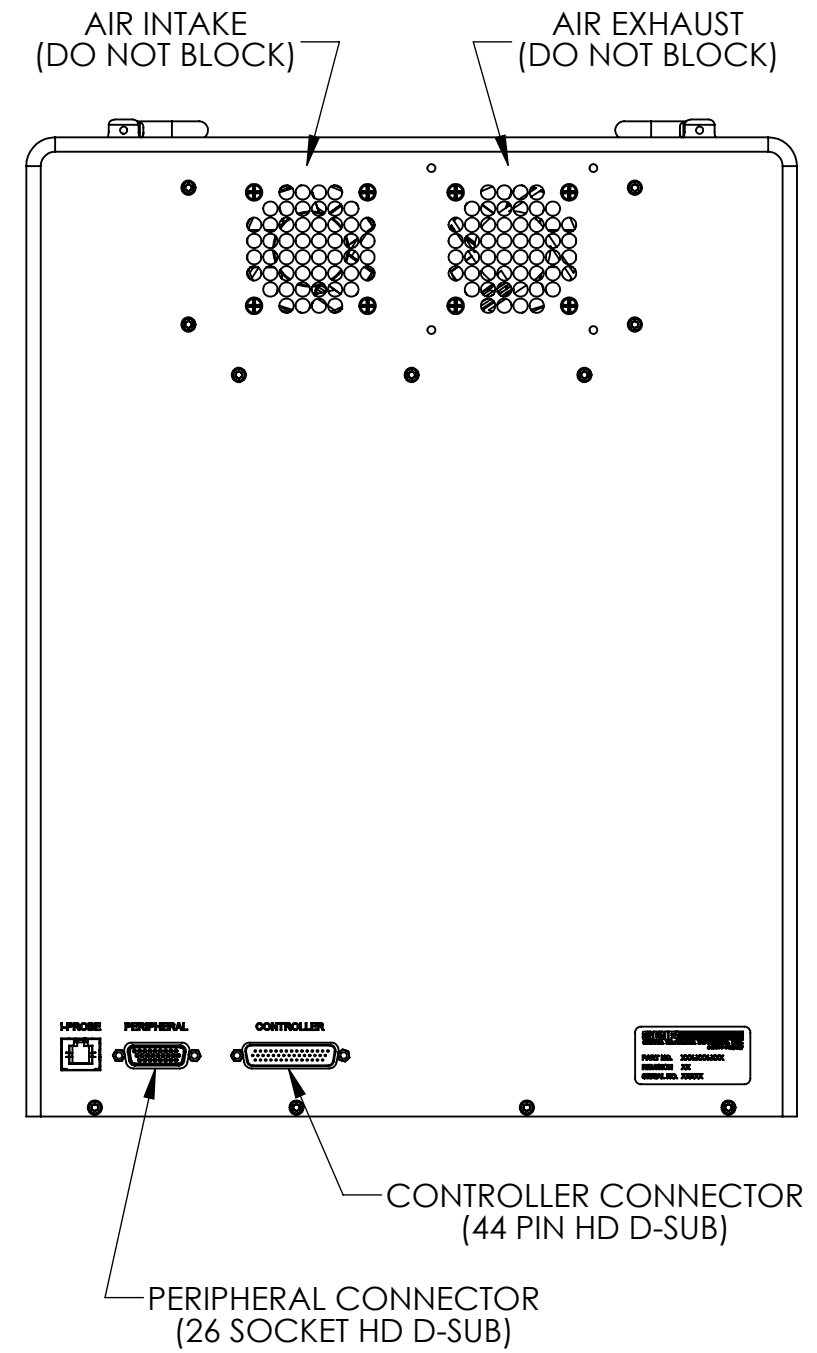
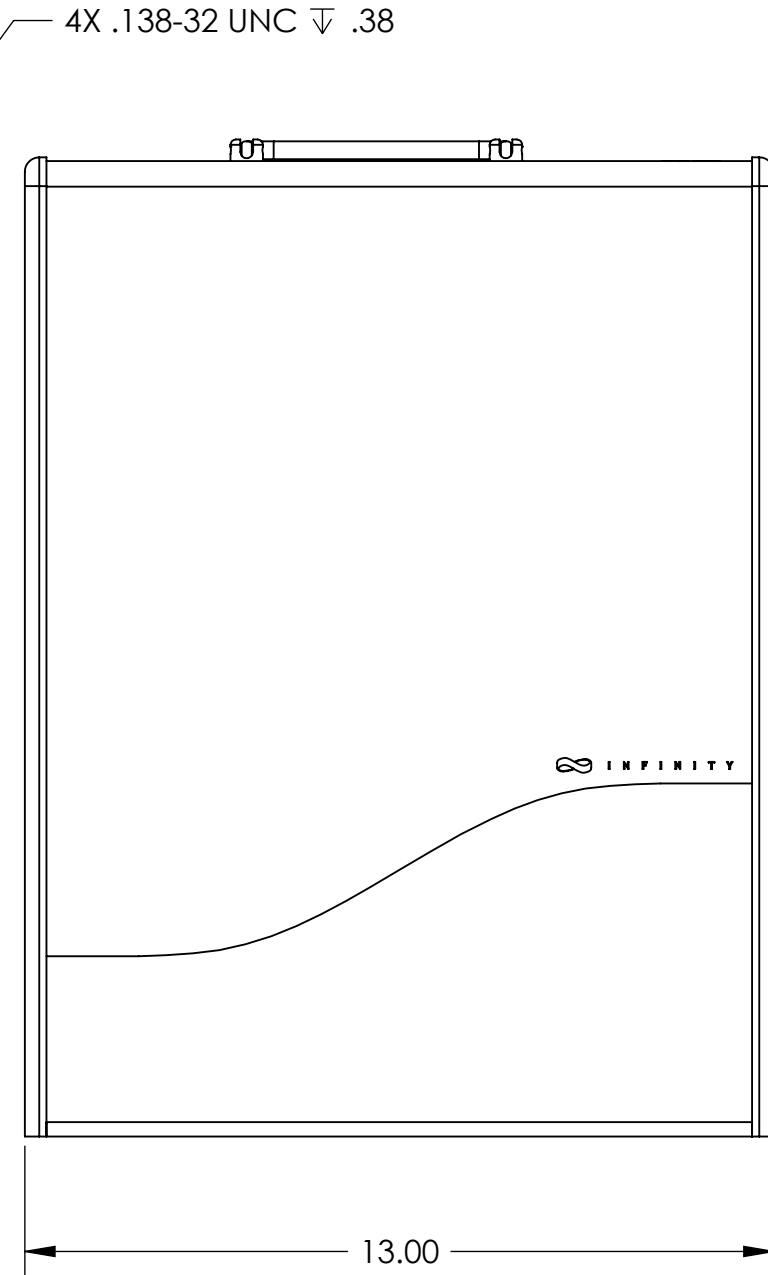
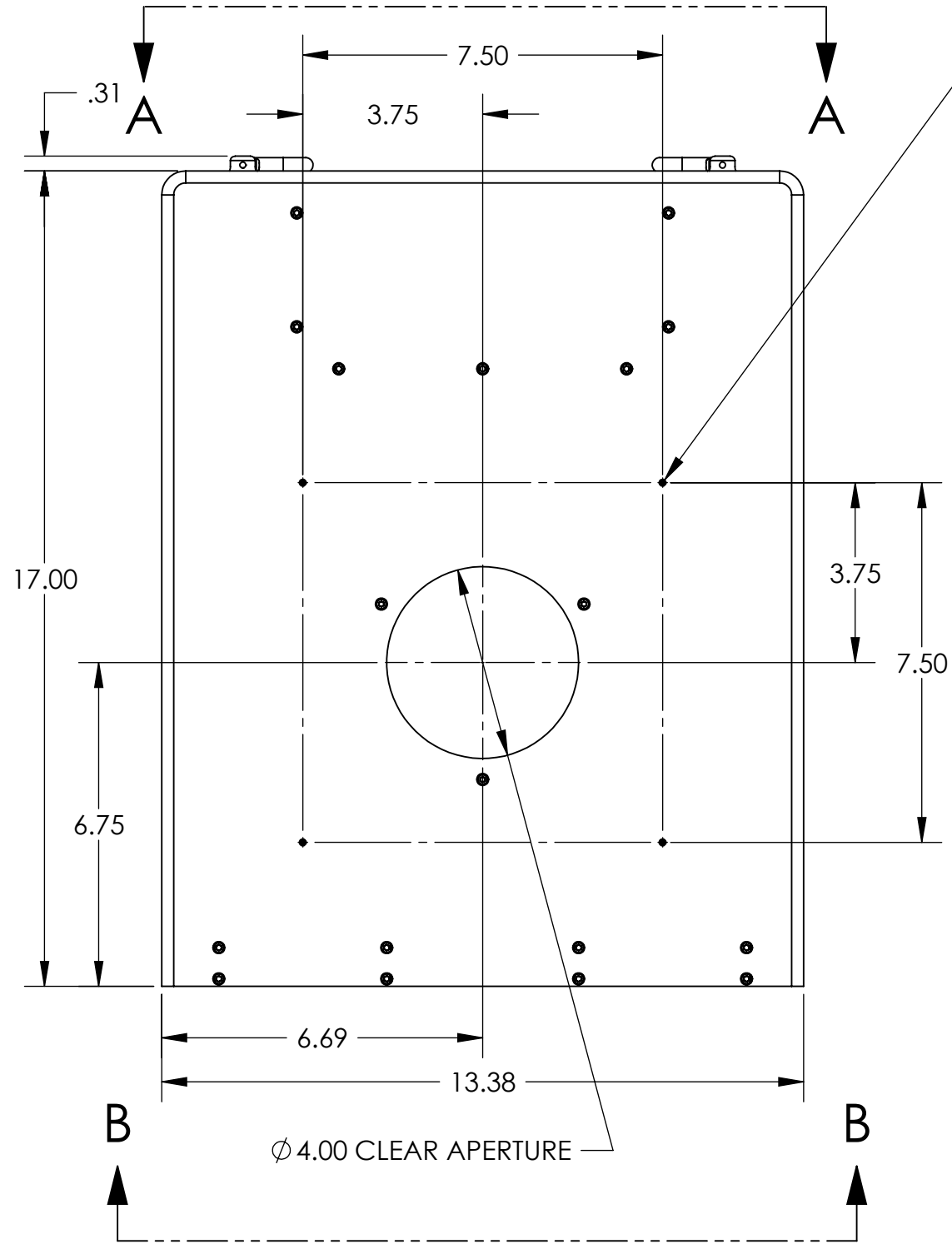


THIS DRAWING CONTAINS PROPRIETARY INFORMATION OF SANTA BARBARA INFRARED INC. (SBIR) AND MAY NOT BE USED FOR THE MANUFACTURE OF ANY PART DISCLOSED HEREIN, NOR DUPLICATED, NOR DISCLOSED TO ANYONE, WITHOUT THE PRIOR WRITTEN PERMISSION OF SBIR.

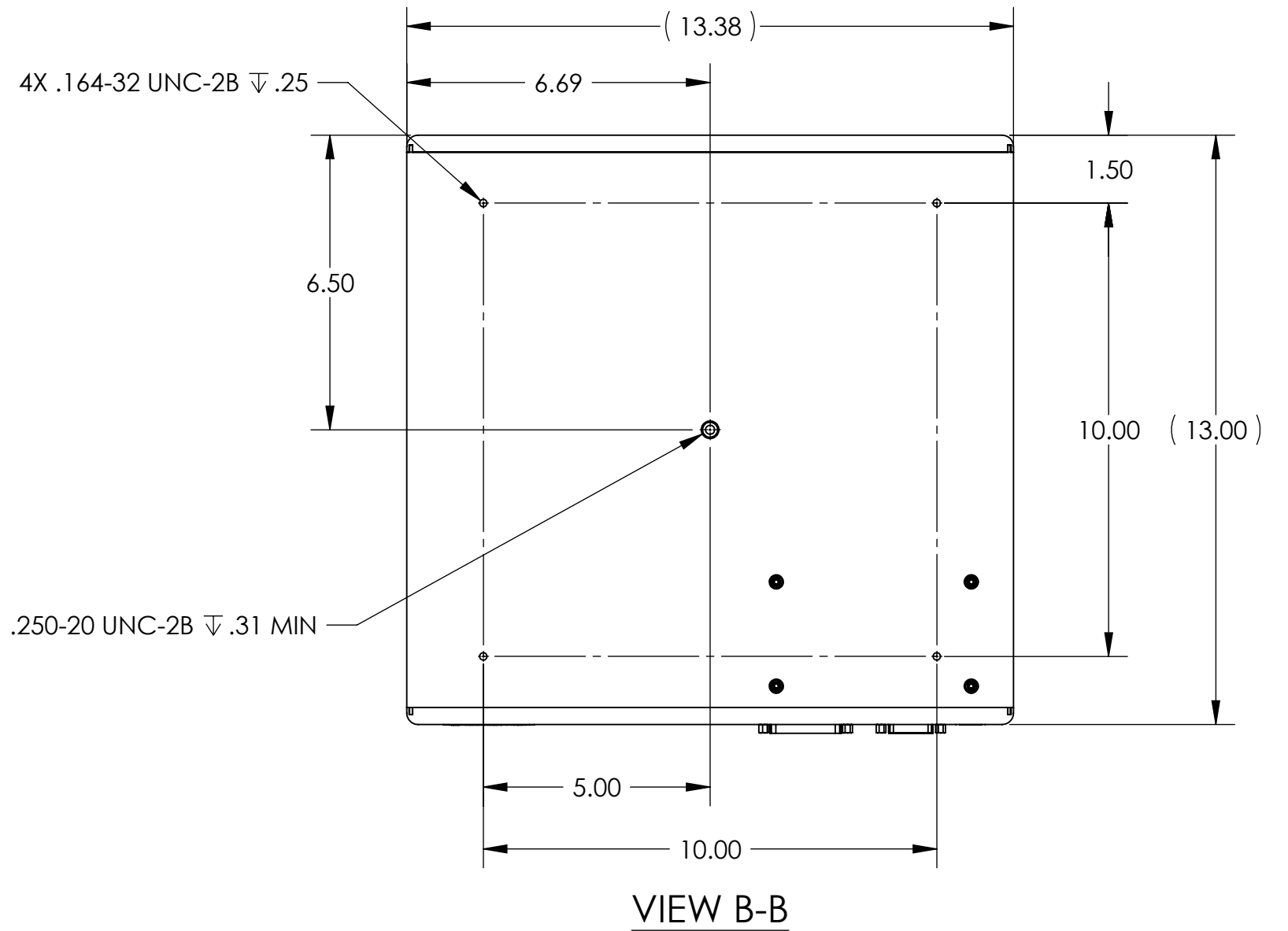
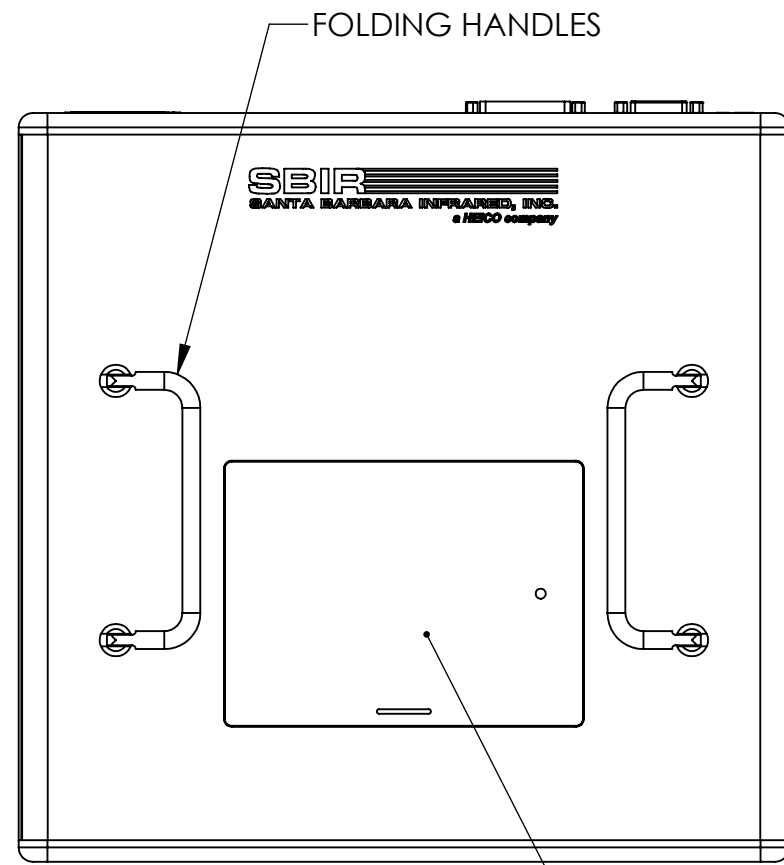
DRAWN	CHECKED	RELEASED	DATE	REVISED PER ECO	REV
DRM				048407	A



NOTES: UNLESS OTHERWISE SPECIFIED
 1. ESTIMATED WEIGHT: 35 LBS.

UNLESS OTHERWISE SPECIFIED DIMENSIONS ARE IN INCHES TOLERANCES ARE ±	DRAWN	D. Monk	DATE	6-30-09
	CHECKED	A. Duerner	DATE	7-06-09
	RELEASED	A. Gibson	DATE	7-07-09
	RELEASED PER ECO NO.	047907		
	DO NOT SCALE FROM DRAWING	SCALE	3:10	SIZE

SBIR SANTA BARBARA INFRARED, INC. SANTA BARBARA, CA. 93103 a HEICO company			
CAGE CODE: 0B0B2			
TITLE DOC, OUTLINE, VIS SOURCE, VSX-04			
NUMBER	319-000-283	SHEET	1 OF 2
		REV	A



TITLE				
DOC,OUTLINE,VIS SOURCE,VSX-04				
SCALE	NUMBER	SHEET	OF	REV
3:10	319-000-283	2	2	A