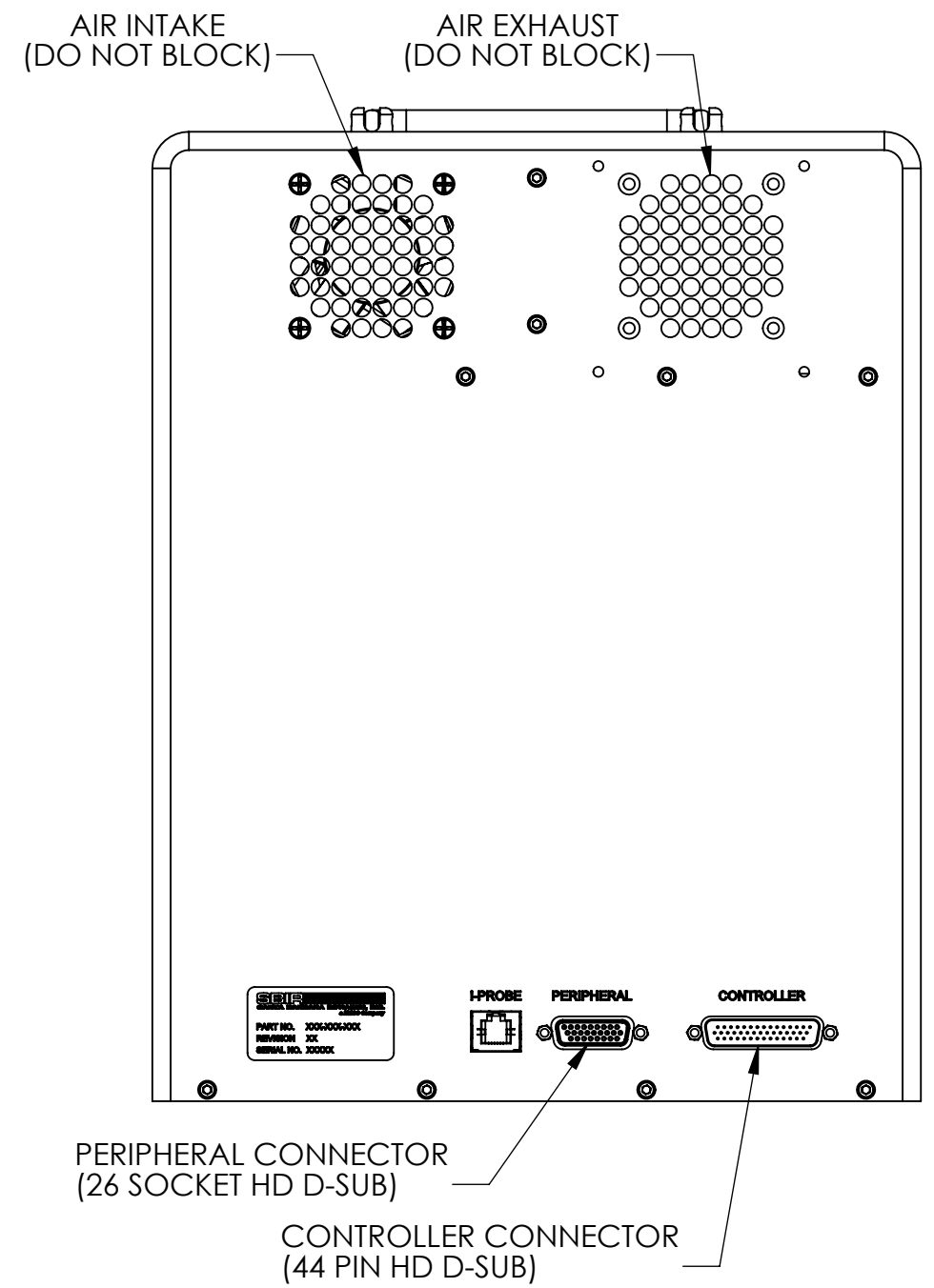
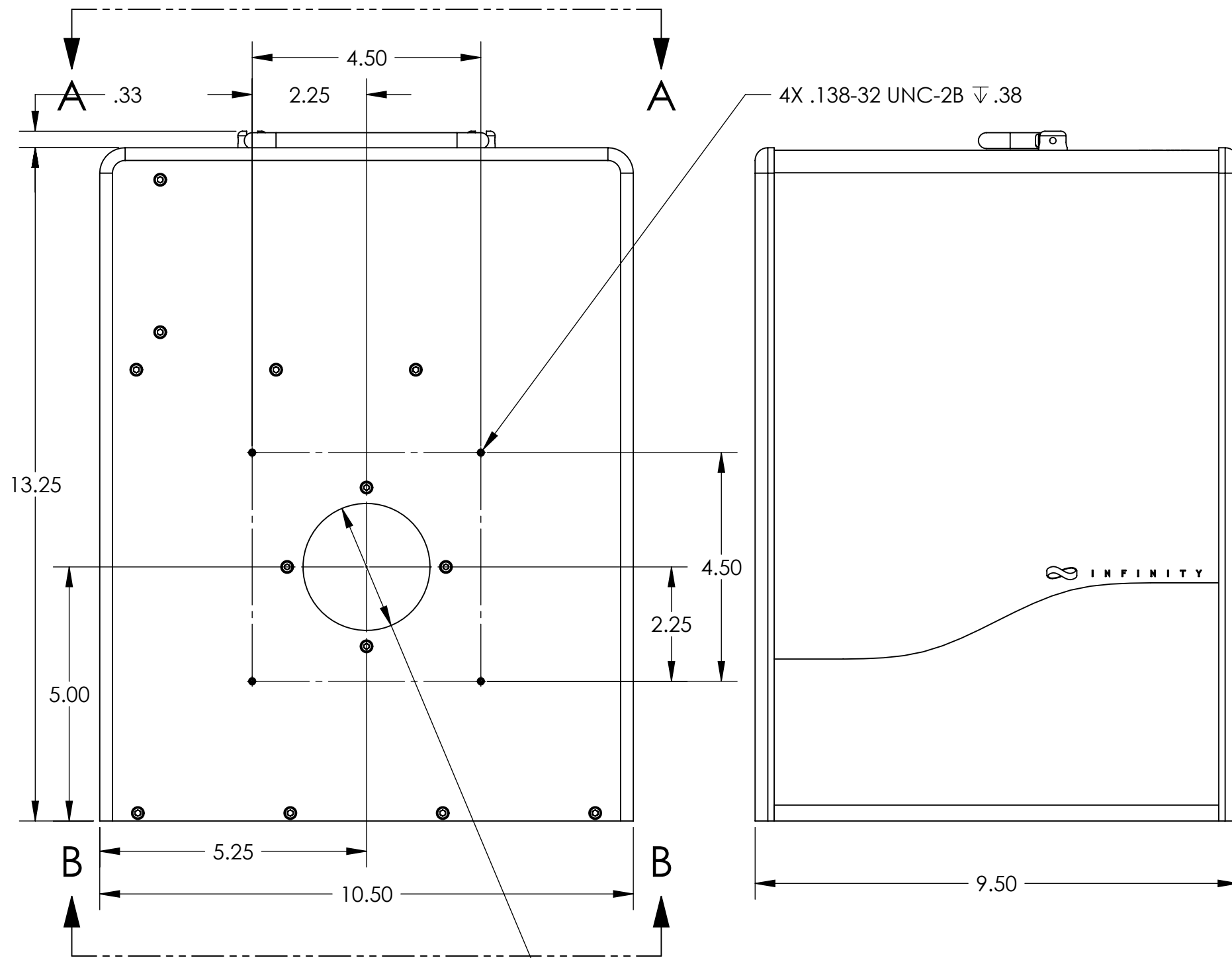


THIS DRAWING CONTAINS PROPRIETARY INFORMATION OF SANTA BARBARA INFRARED INC. (SBIR) AND MAY NOT BE USED FOR THE MANUFACTURE OF ANY PART DISCLOSED HEREIN, NOR DUPLICATED, NOR DISCLOSED TO ANYONE, WITHOUT THE PRIOR WRITTEN PERMISSION OF SBIR.

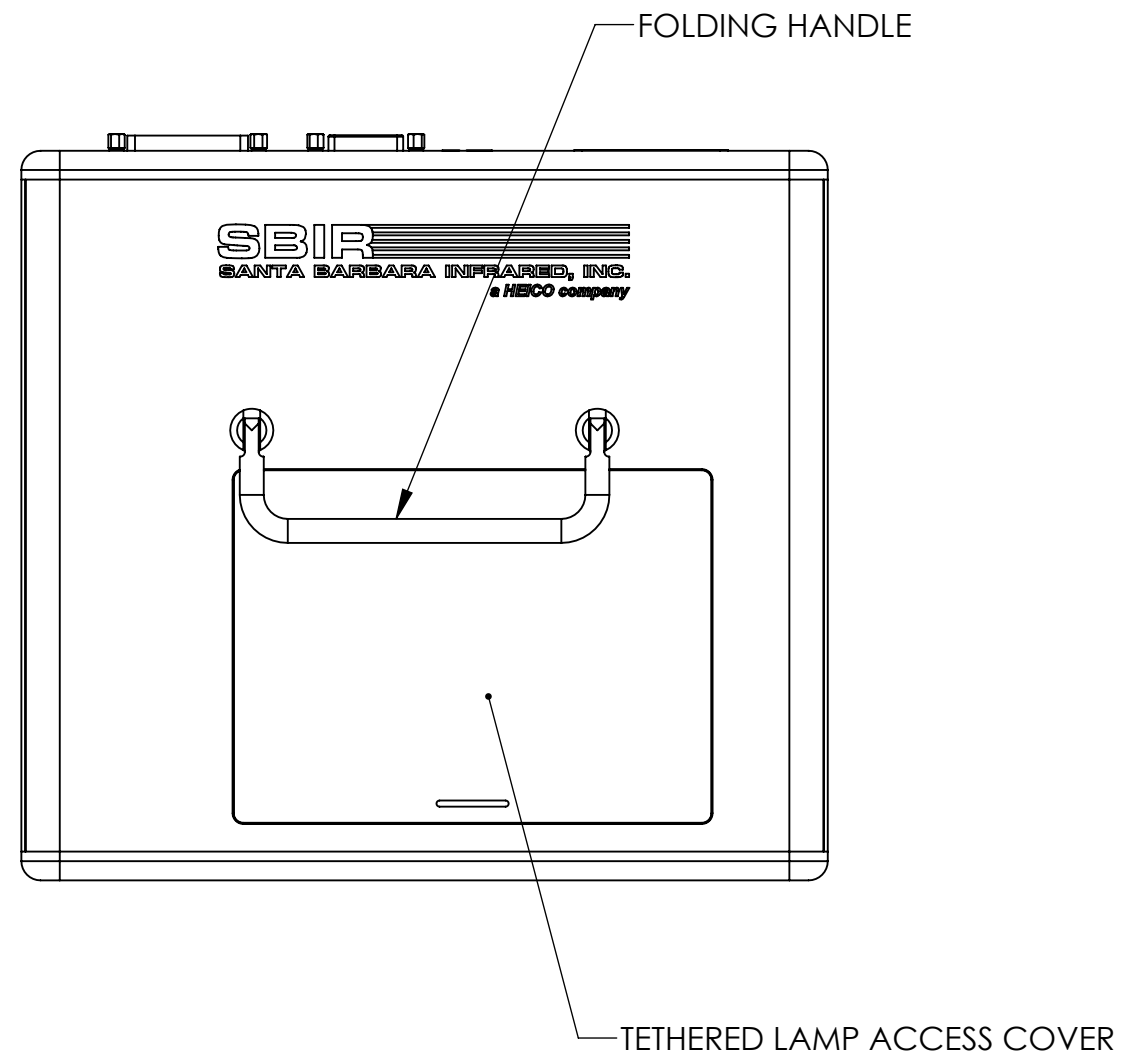
DRAWN	CHECKED	RELEASED	DATE	REVISED PER ECO	REV



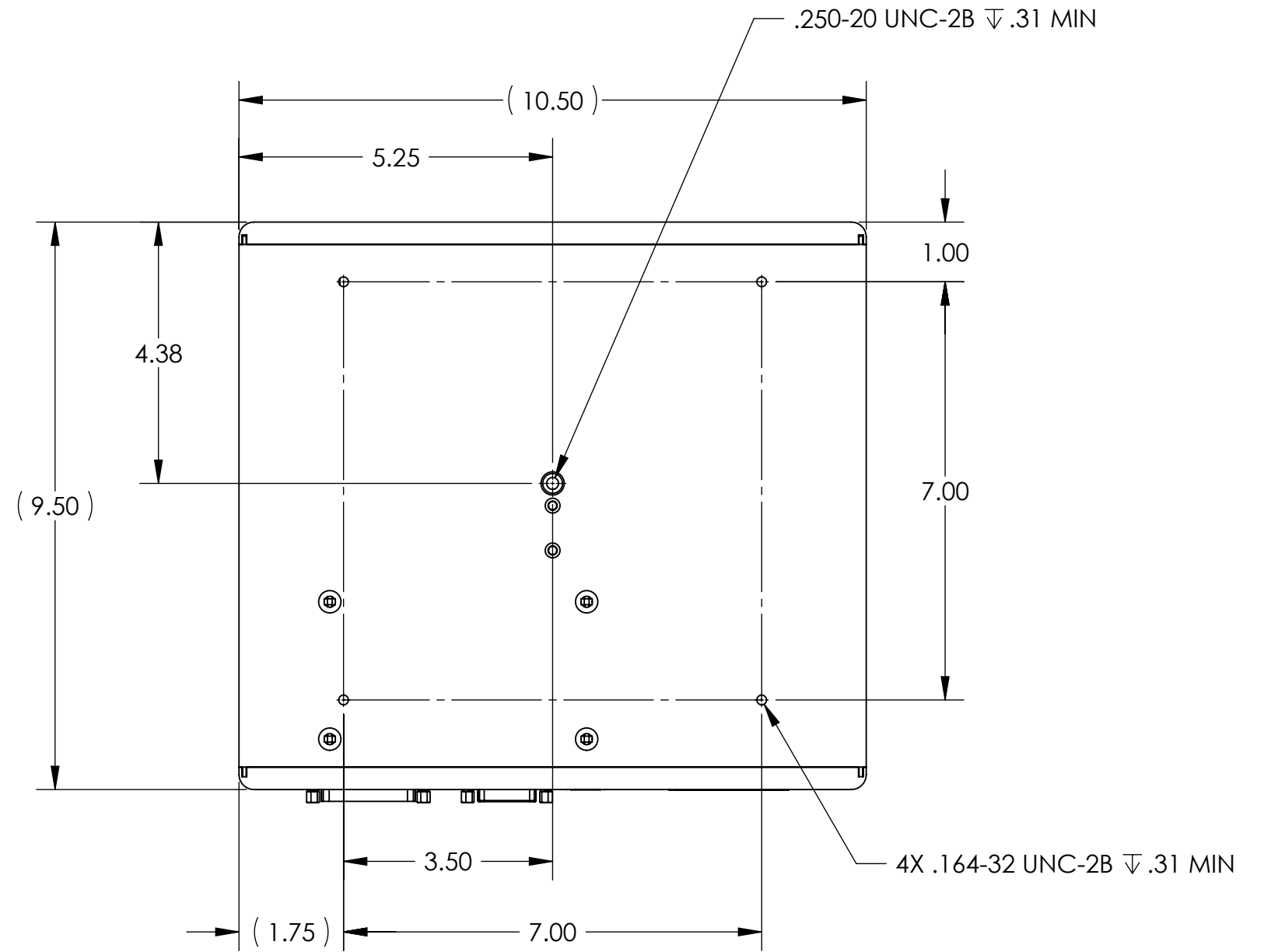
Ø 2.50 CLEAR APERTURE

NOTES: UNLESS OTHERWISE SPECIFIED
 1. ESTIMATED WEIGHT: 26 LBS.

UNLESS OTHERWISE SPECIFIED DIMENSIONS ARE IN INCHES TOLERANCES ARE ±	DRAWN	D. Monk	DATE	2-02-10	SBIR SANTA BARBARA INFRARED, INC. SANTA BARBARA, CA. 93103 a HEICO company	
	CHECKED		DATE			
	.XX .01	RELEASED		DATE		CAGE CODE: 0B0B2
	.XXX .005	RELEASED PER ECO NO.	048407			TITLE DOC, OUTLINE, VIS SOURCE, VSX-02
.XXXX .0005	SCALE	2:5	SIZE	B	NUMBER	319-000-401
FRAC. 1/16	DO NOT SCALE FROM DRAWING				SHEET	1 OF 2
ANG. 1/2					REV	NC



VIEW A-A



VIEW B-B

TITLE				
DOC,OUTLINE,VIS SOURCE,VSX-02				
SCALE	NUMBER	SHEET	OF	REV
2:5	319-000-401	2	2	NC