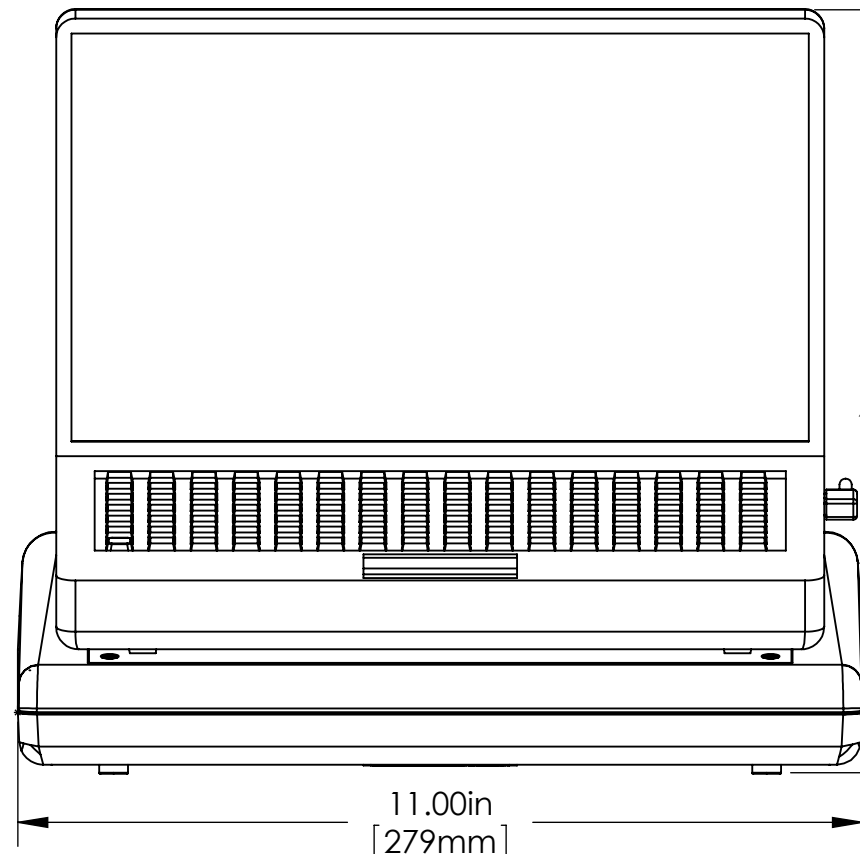


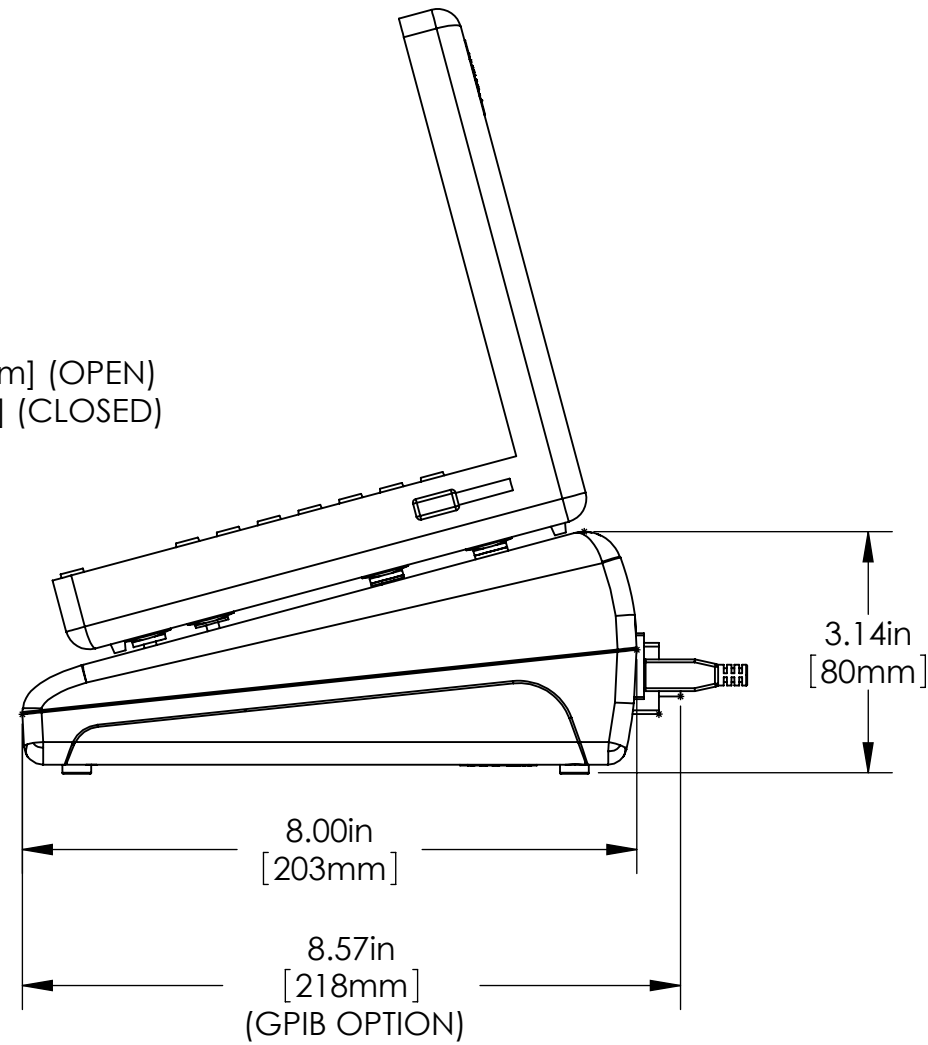
THIS DRAWING CONTAINS PROPRIETARY INFORMATION OF SANTA BARBARA INFRARED INC., (SBIR) AND MAY NOT BE USED FOR THE MANUFACTURE OF ANY PART DISCLOSED HEREIN, NOR DUPLICATED, NOR DISCLOSED TO ANYONE, WITHOUT THE PRIOR WRITTEN PERMISSION OF SBIR.

DRAWN	CHECKED	RELEASED	DATE	REVISED PER ECO	REV



10.75in [273mm] (OPEN)
4.25in [108mm] (CLOSED)

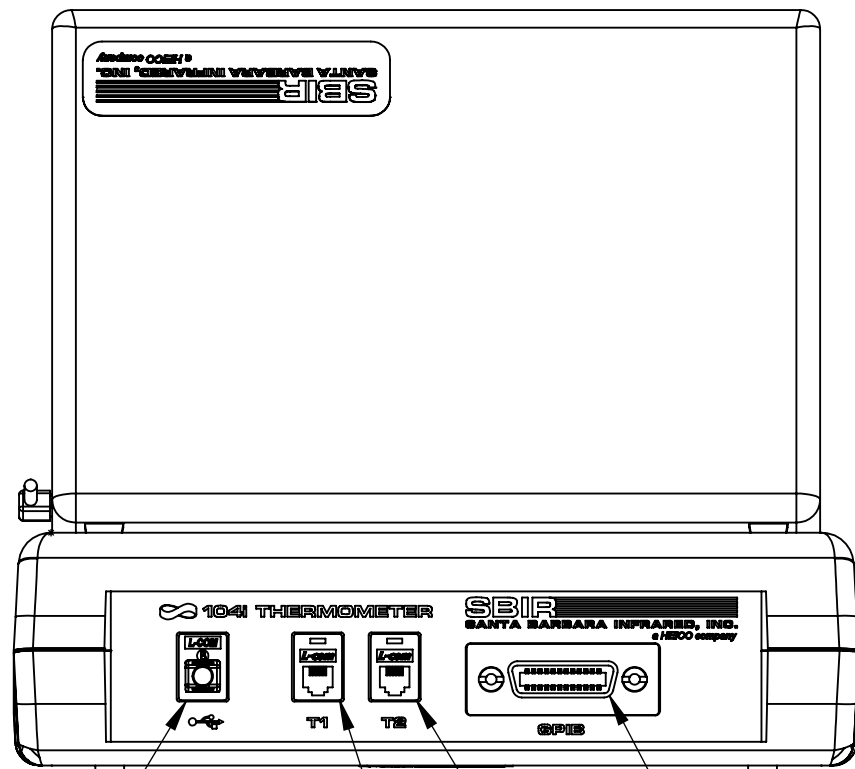
11.00in [279mm]



3.14in [80mm]

8.00in [203mm]

8.57in [218mm] (GPIB OPTION)



ETHERNET (CONNECTED TO NET BOOK)

T1 iPROBE CONNECTOR

T2 iPROBE CONNECTOR

GPIB (IEEE-488) CONNECTOR (OPTIONAL)

NOTES: UNLESS OTHERWISE SPECIFIED

1. APPROXIMATE WEIGHT: 8.25 LBS
2. PROBES, CABLING, AND NETBOOK POWER SUPPLY NOT SHOWN.

UNLESS OTHERWISE SPECIFIED DIMENSIONS ARE IN INCHES TOLERANCES ARE ± .XX .01 .XXX .005 .XXXX .0005 FRAC. 1/16 ANG. 1/2 DO NOT SCALE FROM DRAWING	DRAWN D. Monk	DATE 3-01-10	SBIR SANTA BARBARA INFRARED, INC. SANTA BARBARA, CA. 93103 a HEICO company			
	CHECKED	DATE				CAGE CODE: 0B0B2
	RELEASED	DATE	TITLE DOC, OUTLINE, 104i THERMOMETER			
	RELEASED PER ECO NO. 048483	SCALE 2:5	SIZE B	NUMBER 319-000-419	SHEET 1	OF 1