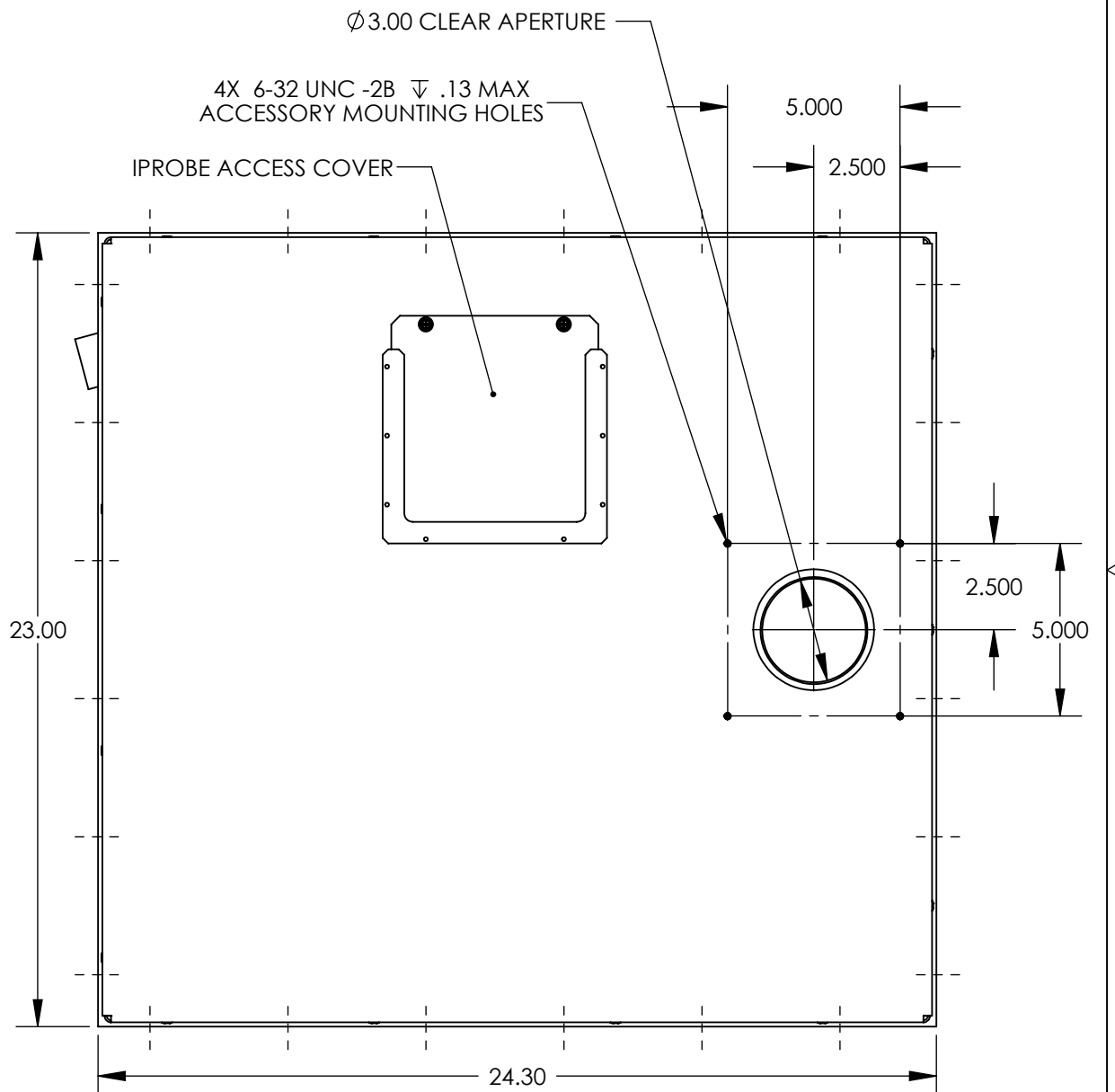
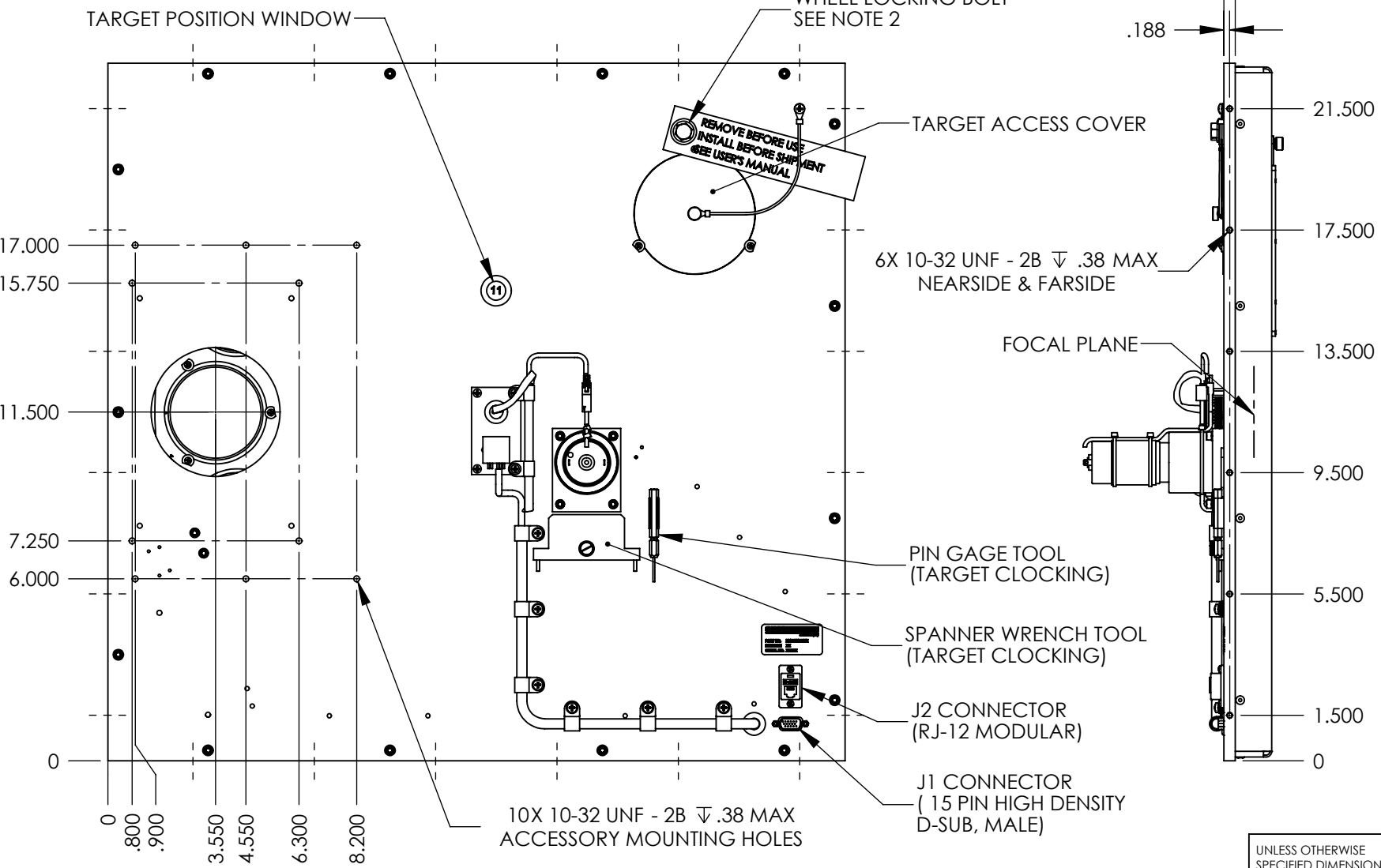
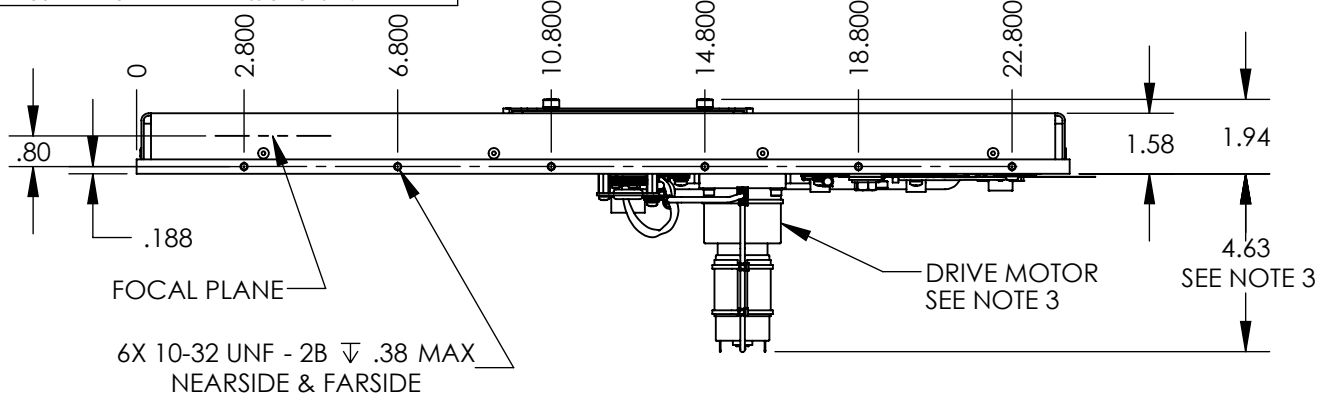


THIS DRAWING CONTAINS PROPRIETARY INFORMATION OF SANTA BARBARA INFRARED INC. (SBIR) AND MAY NOT BE USED FOR THE MANUFACTURE OF ANY PART DISCLOSED HEREIN, NOR DUPLICATED, NOR DISCLOSED TO ANYONE, WITHOUT THE PRIOR WRITTEN PERMISSION OF SBIR.

DRAWN	CHECKED	RELEASED	DATE	REVISED PER ECO	REV



NOTES: UNLESS OTHERWISE SPECIFIED

- APPROXIMATE WEIGHT, WITHOUT TARGETS: 36.5 LBS.
- REMOVE WHEEL LOCKING BOLT PRIOR TO OPERATION. REINSTALL WHEEL LOCKING BOLT PRIOR TO SHIPMENT.
- STANDARD STRAIGHT DRIVE MOTOR SHOWN. RIGHT ANGLE DRIVE MOTOR OPTION AVAILABLE WITH LOWER PROFILE.

UNLESS OTHERWISE SPECIFIED DIMENSIONS ARE IN INCHES TOLERANCES ARE ± .XX .01 .XXX .005 .XXXX .0005 FRAC. 1/16 ANG. 1/2  DO NOT SCALE FROM DRAWING	DRAWN	D. Monk	DATE	9-28-11
	CHECKED		DATE	
	RELEASED		DATE	
	RELEASED PER ECO NO.	049701		
	SCALE	1:5	SIZE	B

**SBIR**  
**SANTA BARBARA INFRARED, INC.**  
 SANTA BARBARA, CA. 93103 a HEICO company

CAGE CODE: 0B0B2

TITLE  
 DOC,OUTLINE,TGT WHL,317I,16 POS,3.00 IN

NUMBER 319-000-701 SHEET 1 OF 1 REV NC