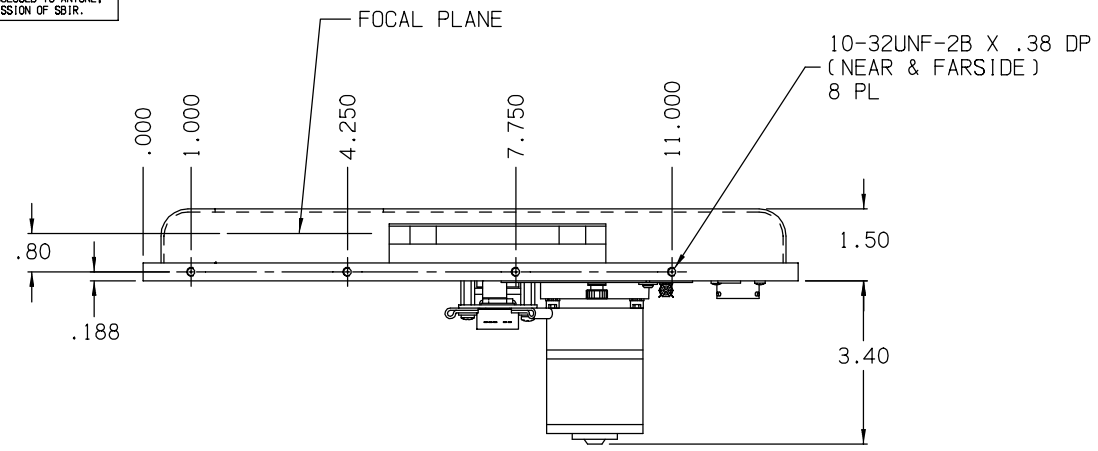
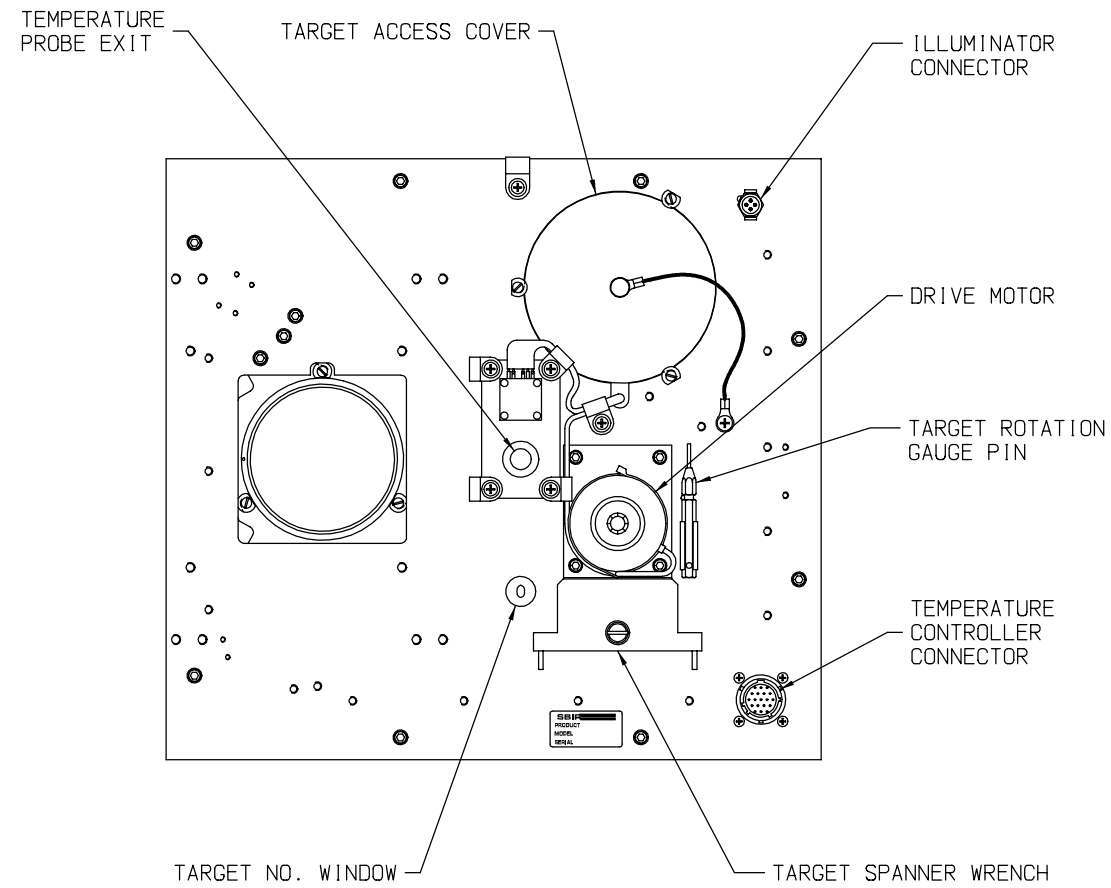


THIS DRAWING CONTAINS PROPRIETARY INFORMATION OF SANTA BARBARA INFRARED, INC. (SBIR) AND MAY NOT BE USED FOR THE MANUFACTURE OF ANY PART DISCLOSED HEREIN, NOR DUPLICATED, NOR DISCLOSED TO ANYONE, WITHOUT THE PRIOR WRITTEN PERMISSION OF SBIR.

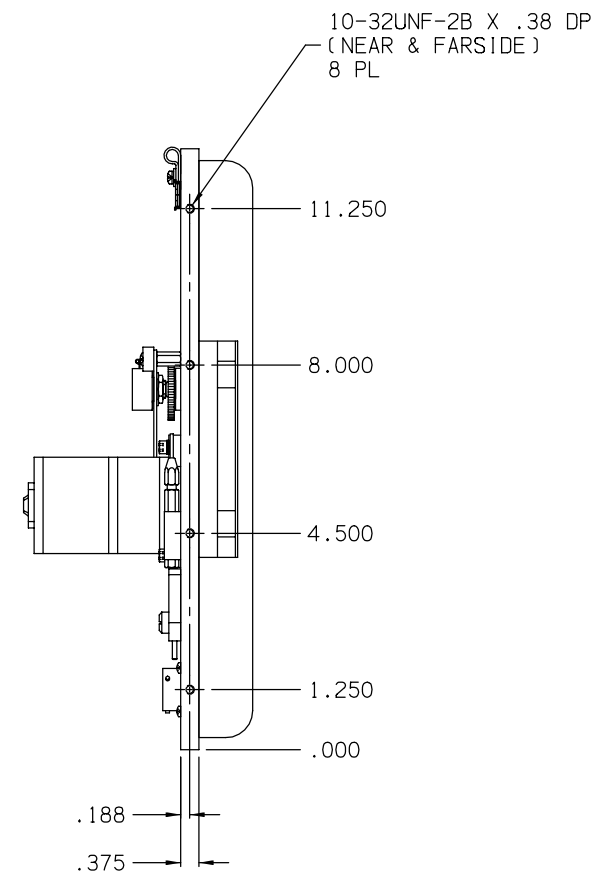
DRAWN	DRM	RELEASED	EB	DATE	2-12-97	REVISED & REDRAWN - NEW MOTOR	REV	D
-------	-----	----------	----	------	---------	-------------------------------	-----	---



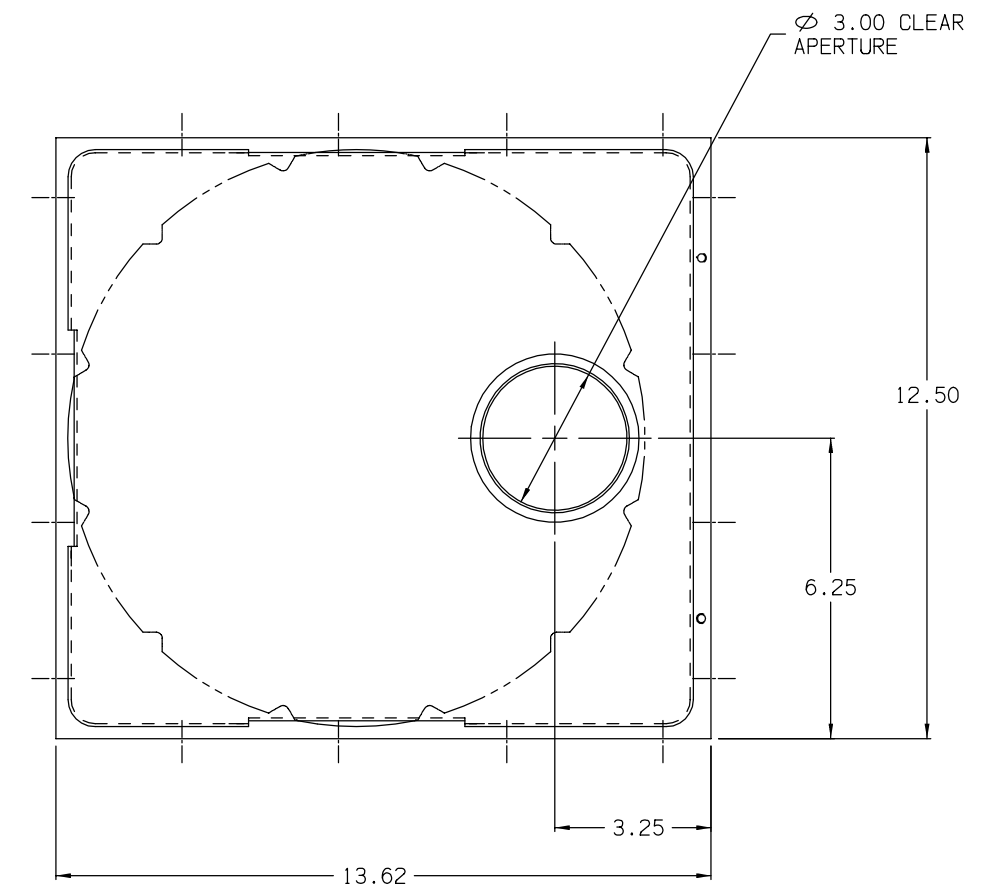
REAR VIEW



REAR VIEW



SIDE VIEW



FRONT VIEW

- NOTES:
 1. WEIGHT: APPROX. 12 LBS. WITHOUT TARGETS.

<small>UNLESS OTHERWISE SPECIFIED DIMENSIONS ARE IN INCHES TOLERANCES ARE ±</small> .XX .01 .XXX .005 .XXXX .0005 FRAC. 1/16 ANG. 1/2°	DRAWN	M. MOODY	DATE	4-29-90		
	CHECKED	R. SHUCK	DATE	11-19-90		
	RELEASED	S. McHUGH	DATE			
	RELEASED PER EDD NO.	NONE				
DO NOT SCALE FROM DRAWING	SCALE	1/2	NUMBER	SK-246	SHEET 1 OF 1	
					REV	D