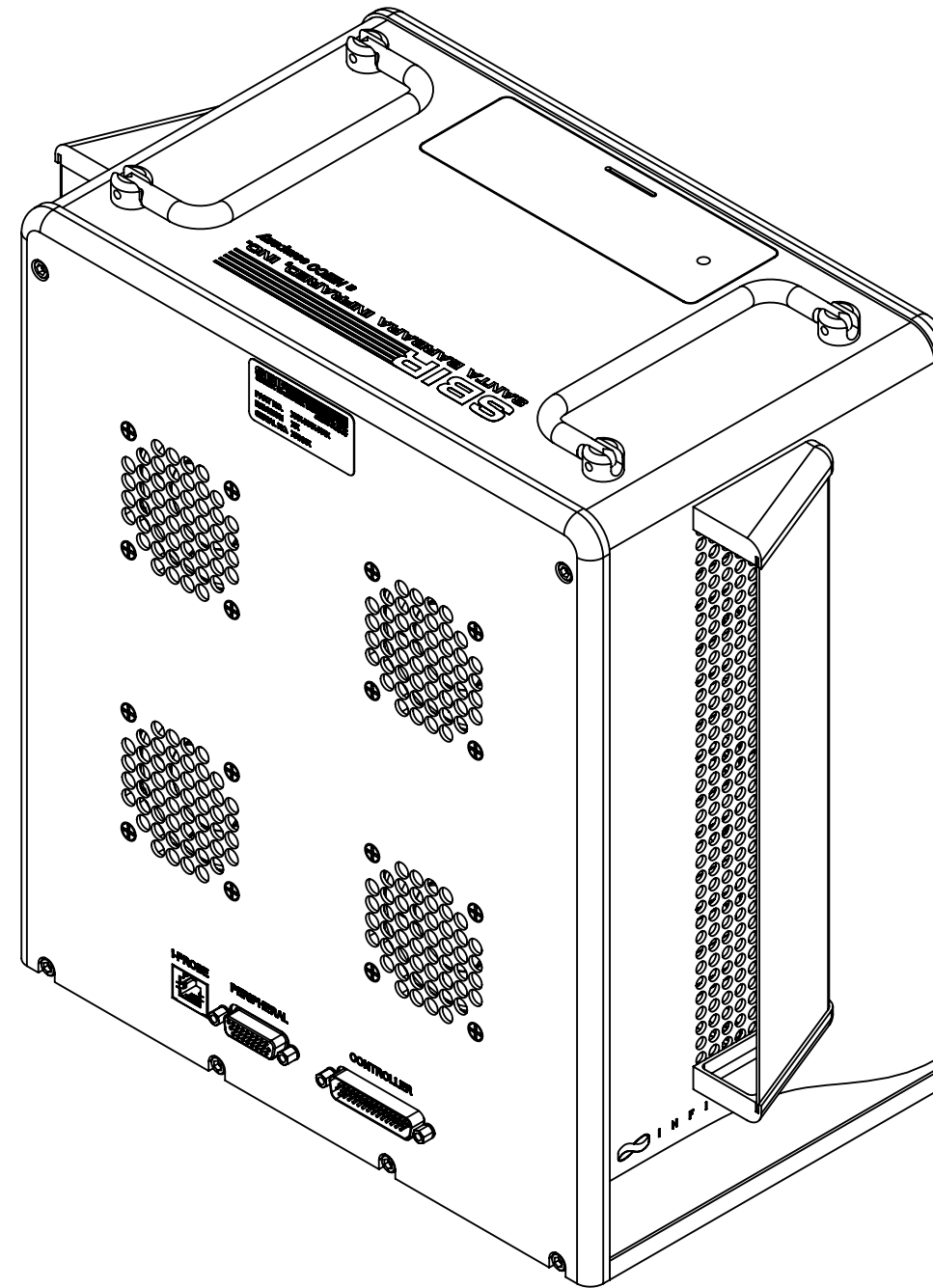
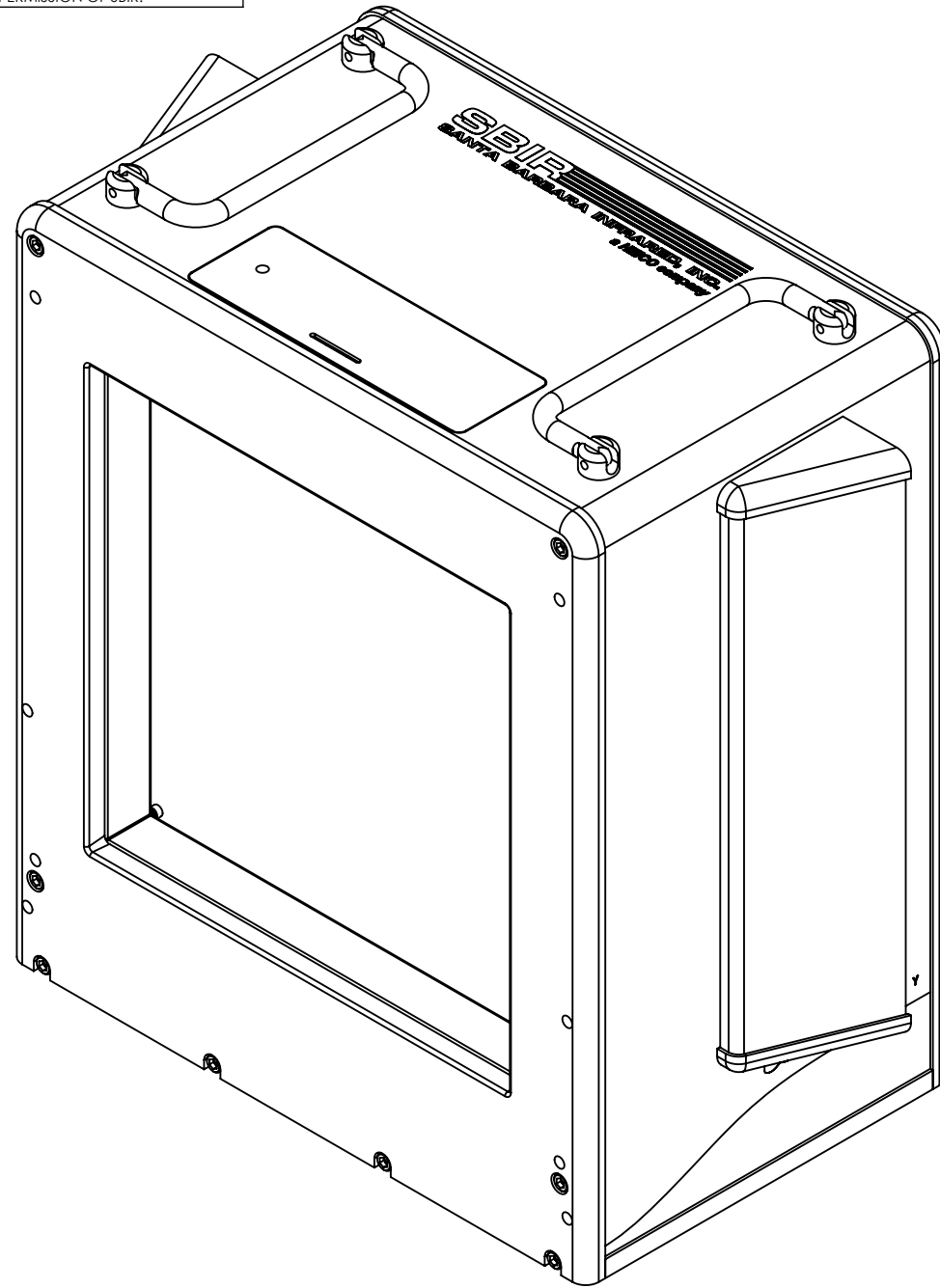



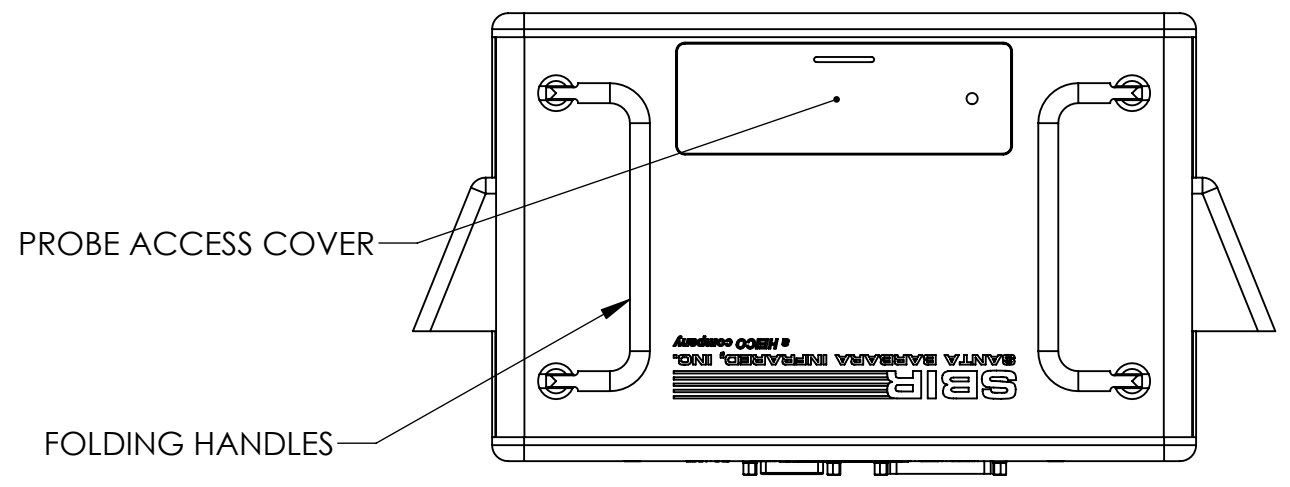
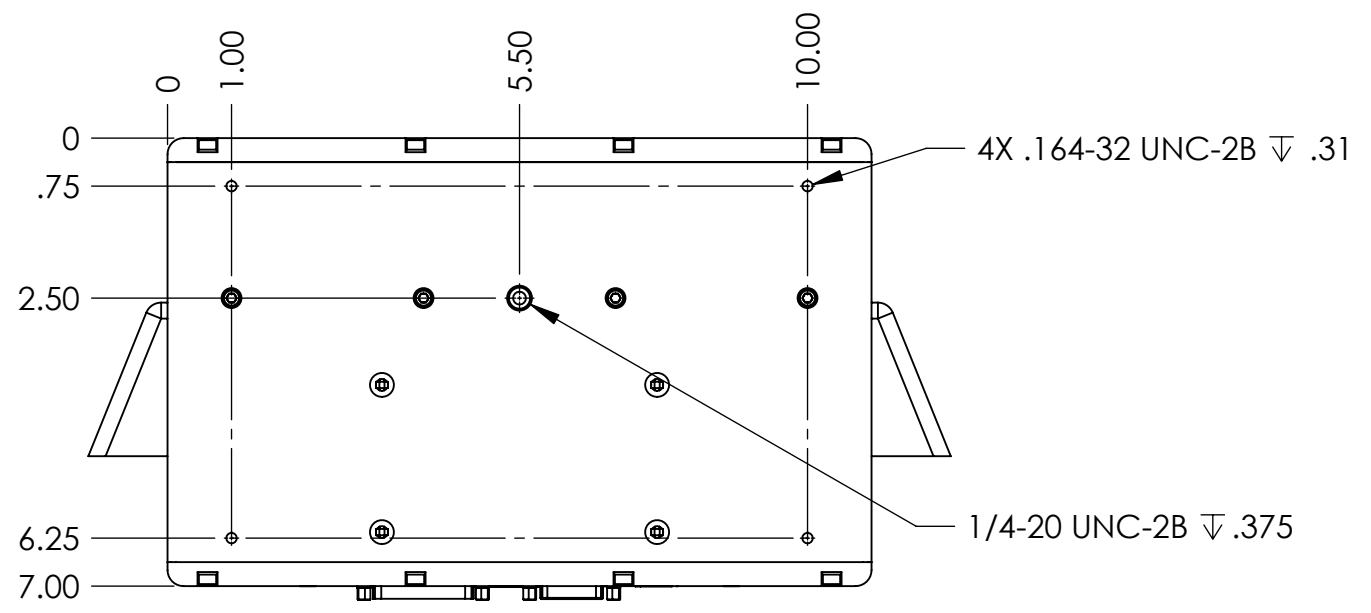
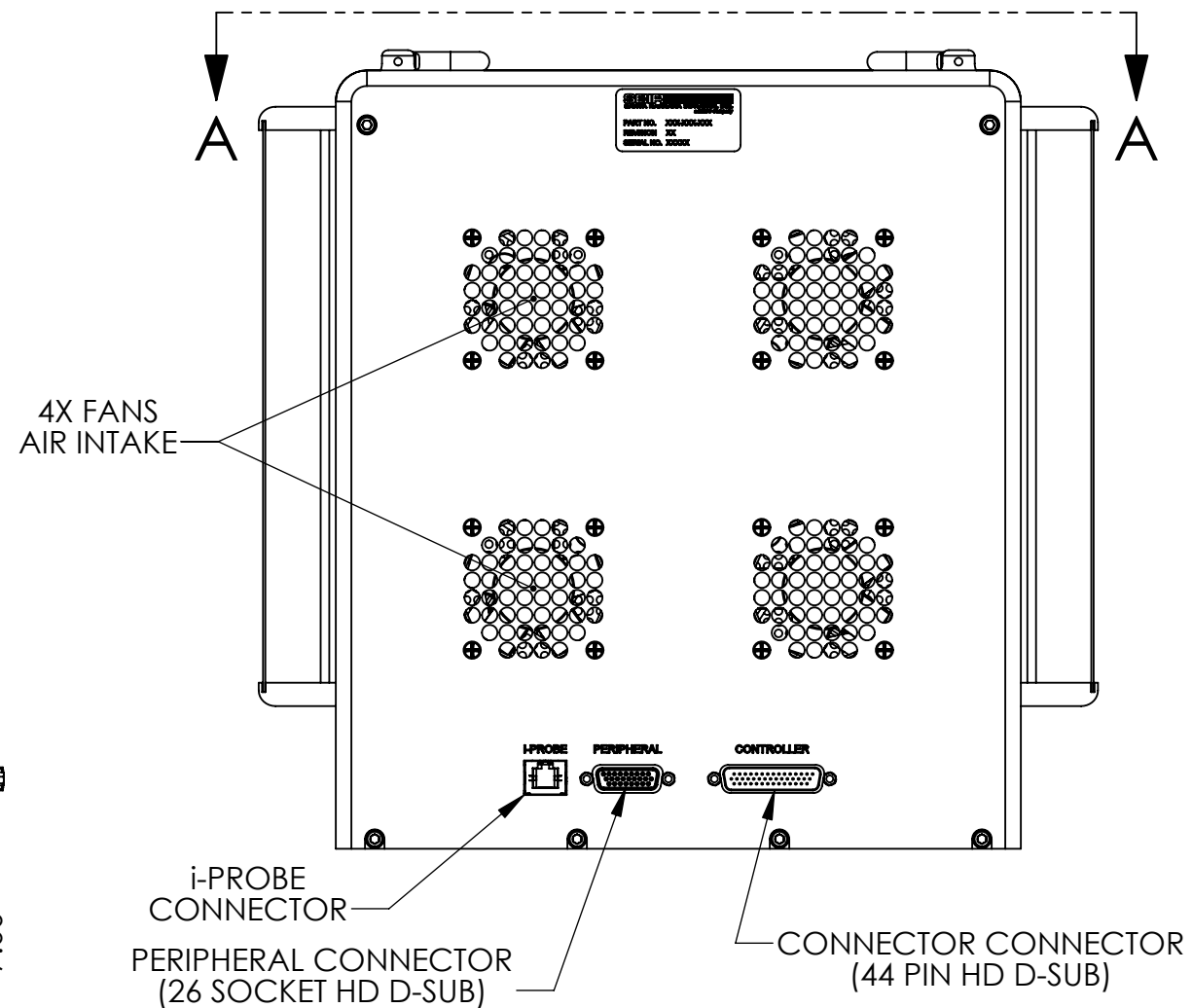
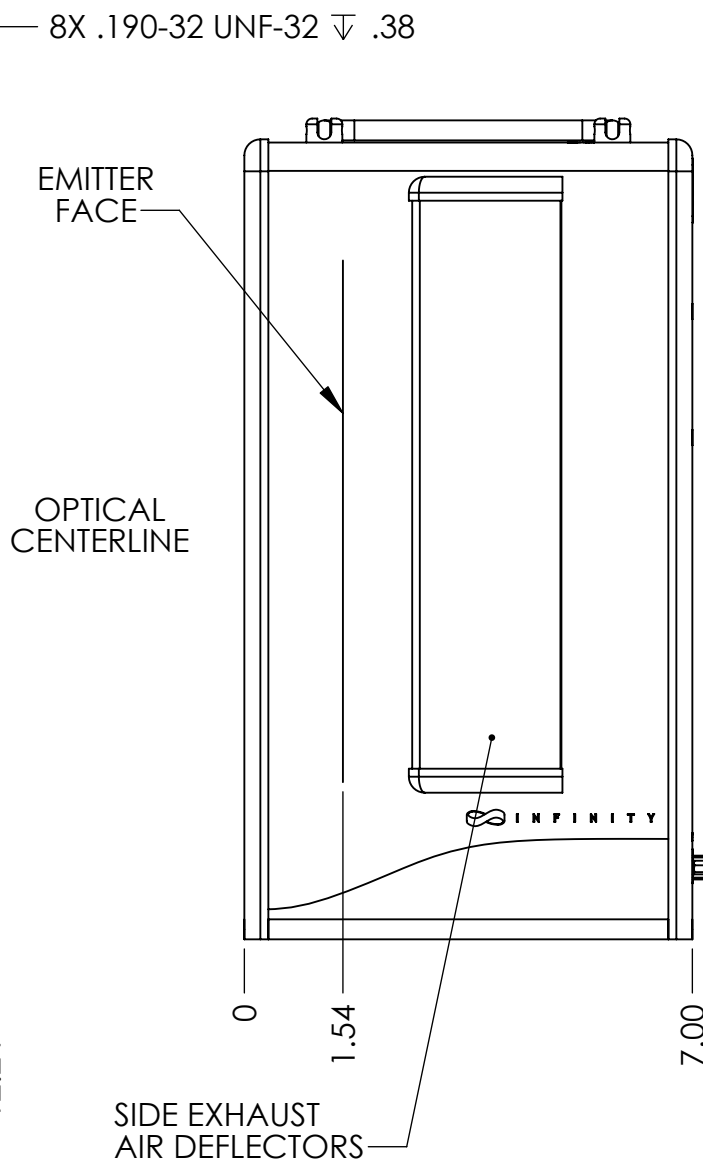
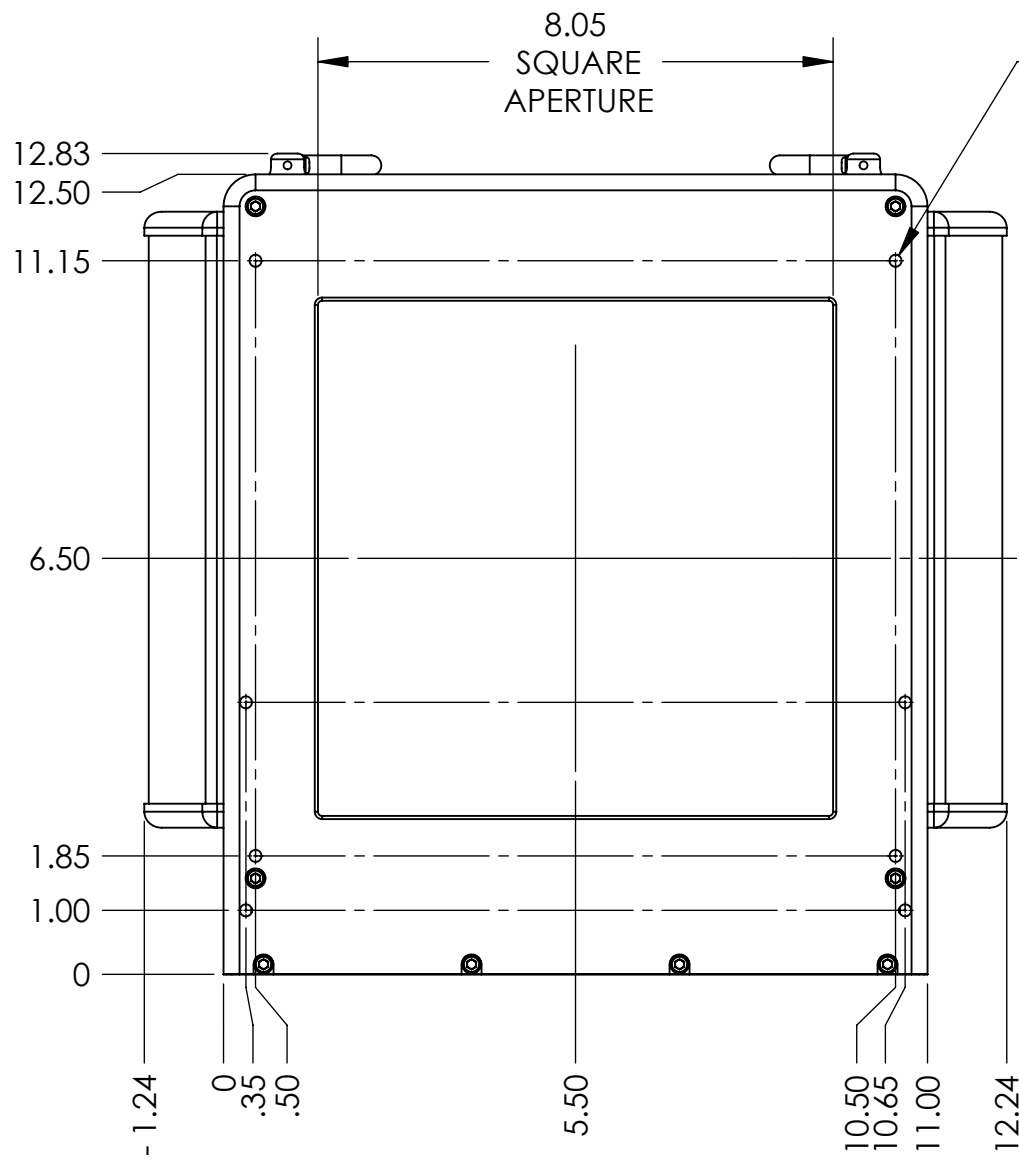
THIS DRAWING CONTAINS PROPRIETARY INFORMATION OF SANTA BARBARA INFRARED INC. (SBIR) AND MAY NOT BE USED FOR THE MANUFACTURE OF ANY PART DISCLOSED HEREIN, NOR DUPLICATED, NOR DISCLOSED TO ANYONE, WITHOUT THE PRIOR WRITTEN PERMISSION OF SBIR.

DRAWN	RELEASED	DATE	REVISED PER ECO	REV
DRM			046616	A



NOTES: UNLESS OTHERWISE SPECIFIED

MATERIAL		UNLESS OTHERWISE SPECIFIED DIMENSIONS ARE IN INCHES TOLERANCES ARE ±	DRAWN	D. Monk	DATE	11-28-07	 SANTA BARBARA INFRARED, INC				
			CHECKED	E. Kayda	DATE	5-01-07				MODEL	
			.XX	.01	RELEASED	J. LaVeigne	DATE	6-13-07	TITLE		
			.XXX	.005	RELEASED PER ECO NO.		045998		DWG, OUTLINE, 8 INCH INFINITY BLACKBODY		
			.XXXX	.0005	SCALE	2:5		NUMBER	319-000-011		
		FRAC.	1/16			SHEET	1	OF	2	REV	A
		ANG.	1/2								
NEXT ASSY	USED ON	DO NOT SCALE FROM DRAWING									
APPLICATION											



VIEW A-A

TITLE DWG, OUTLINE, 8 INCH INFINITY BLACKBODY				
SCALE	NUMBER	SHEET	OF	REV
1:3	319-000-011	2	2	A