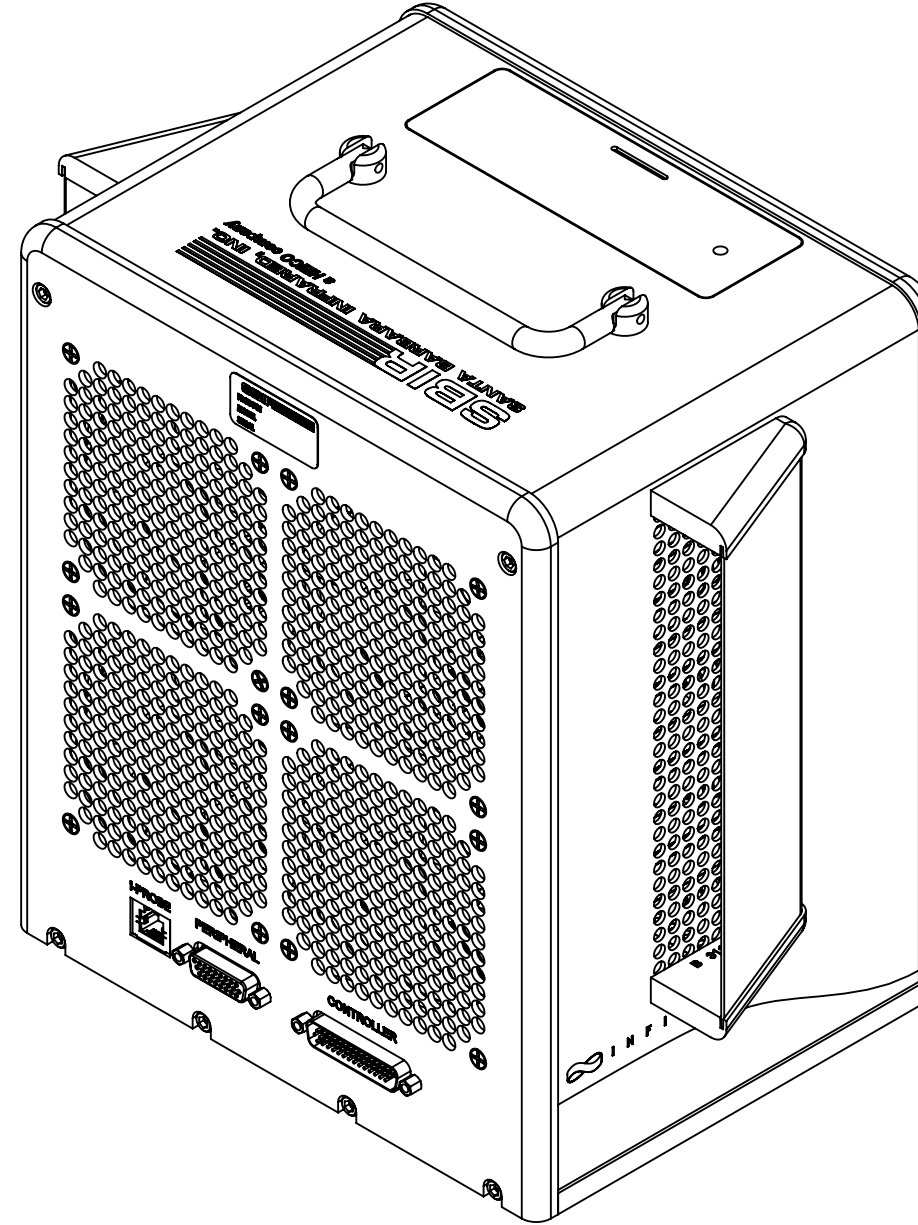
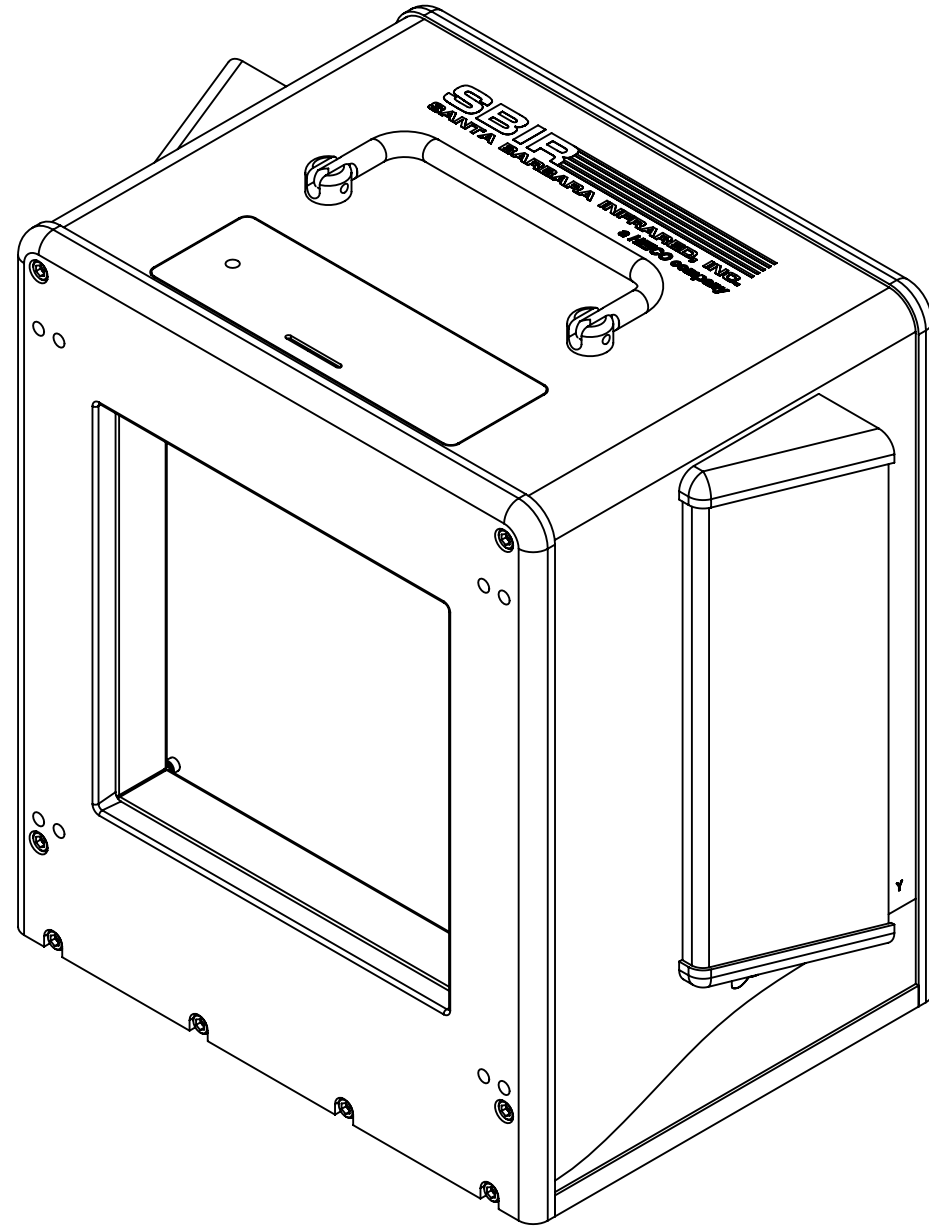


THIS DRAWING CONTAINS PROPRIETARY INFORMATION OF SANTA BARBARA INFRARED INC. (SBIR) AND MAY NOT BE USED FOR THE MANUFACTURE OF ANY PART DISCLOSED HEREIN, NOR DUPLICATED, NOR DISCLOSED TO ANYONE, WITHOUT THE PRIOR WRITTEN PERMISSION OF SBIR.

DRAWN	RELEASED	DATE	REVISED PER ECO	REV



NOTES: UNLESS OTHERWISE SPECIFIED

MATERIAL	UNLESS OTHERWISE SPECIFIED DIMENSIONS ARE IN INCHES TOLERANCES ARE ±	DRAWN D. Monk	DATE 5-09-07		
	.XX .01	CHECKED	DATE		
	.XXX .005	RELEASED	DATE	TITLE	
	.XXXX .0005	RELEASED PER ECO NO. 046040		DOC, OUTLINE, 6 INCH INFINITY BLACKBODY	
	FRAC. 1/16	SCALE 3:7	NUMBER 319-000-012	SHEET 1 OF 2	REV NC
	ANG. 1/2	DO NOT SCALE FROM DRAWING			
NEXT ASSY	USED ON				
APPLICATION					

