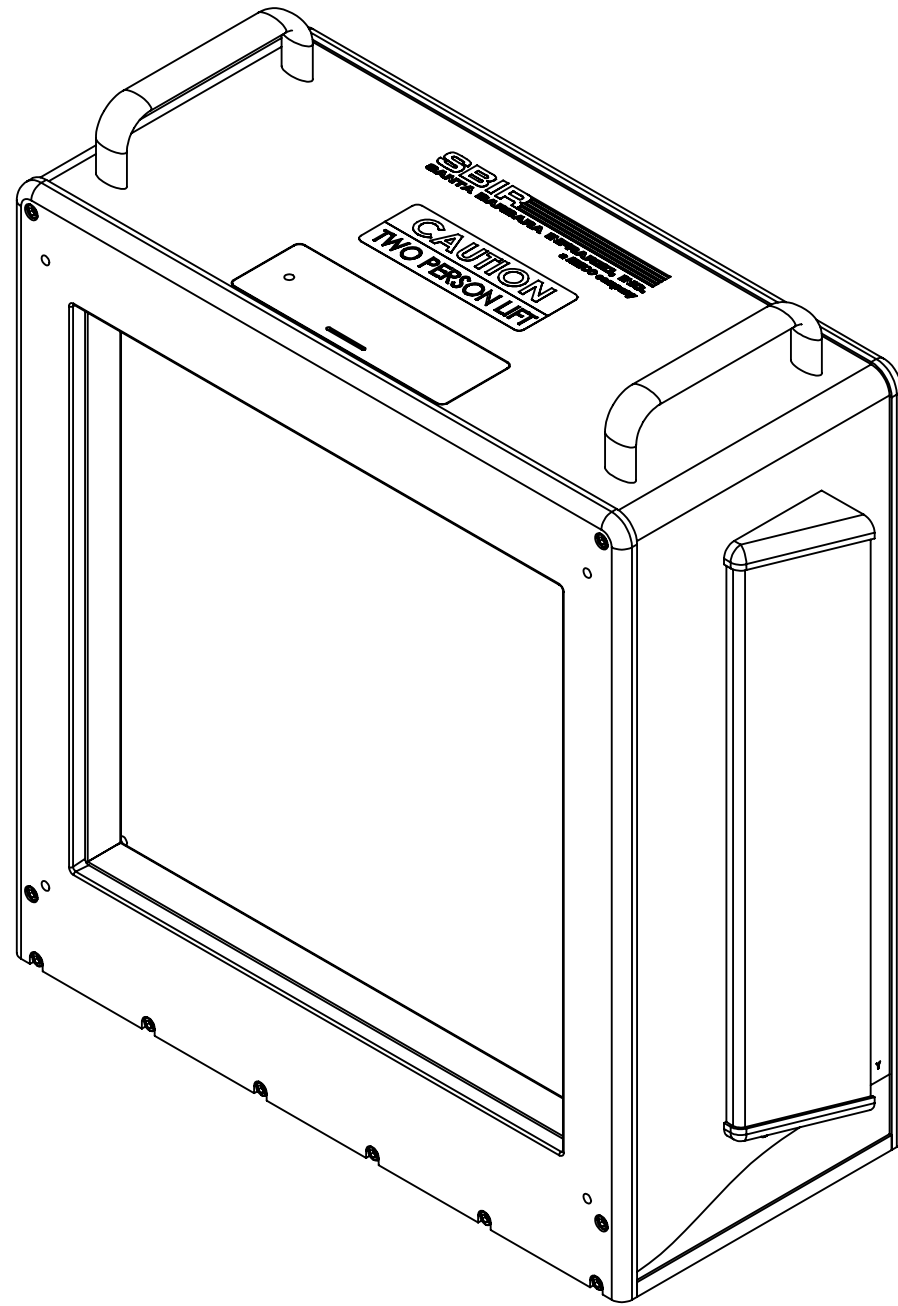
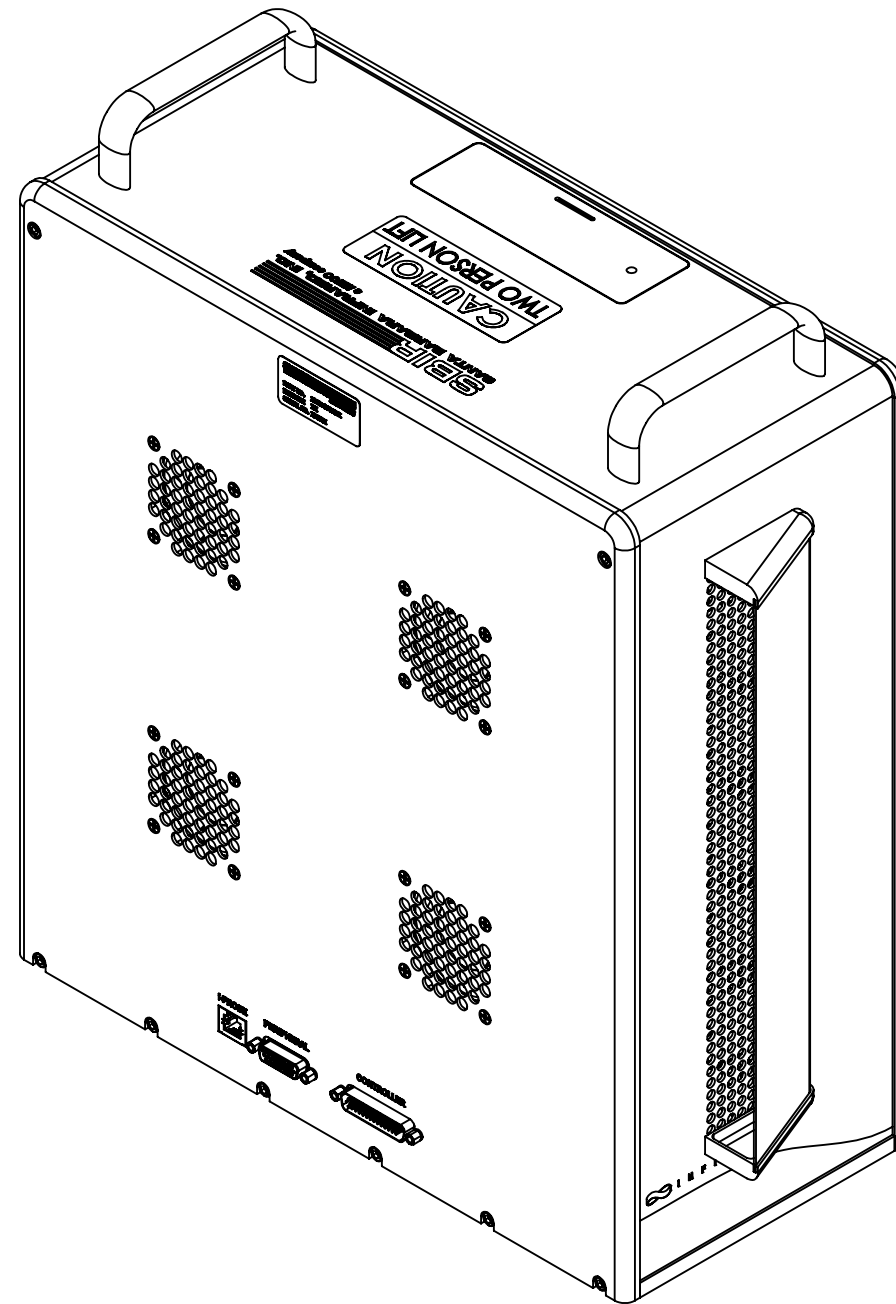


THIS DRAWING CONTAINS PROPRIETARY INFORMATION OF SANTA BARBARA INFRARED INC. (SBIR) AND MAY NOT BE USED FOR THE MANUFACTURE OF ANY PART DISCLOSED HEREIN, NOR DUPLICATED, NOR DISCLOSED TO ANYONE, WITHOUT THE PRIOR WRITTEN PERMISSION OF SBIR.

DRAWN	CHECKED	RELEASED	DATE	REVISED PER ECO	REV



FRONT ISOMETRIC VIEW



REAR ISOMETRIC VIEW

NOTES: UNLESS OTHERWISE SPECIFIED

1. APPROXIMATE WEIGHT: 74 LBS.

UNLESS OTHERWISE SPECIFIED DIMENSIONS ARE IN INCHES TOLERANCES ARE ± .XX .01 .XXX .005 .XXXX .0005 FRAC. 1/16 ANG. 1/2 DO NOT SCALE FROM DRAWING	DRAWN	D. Monk	DATE	12-05-08
	CHECKED		DATE	
	RELEASED		DATE	
	RELEASED PER ECO NO.	047549		
	SCALE	3:10	SIZE	B

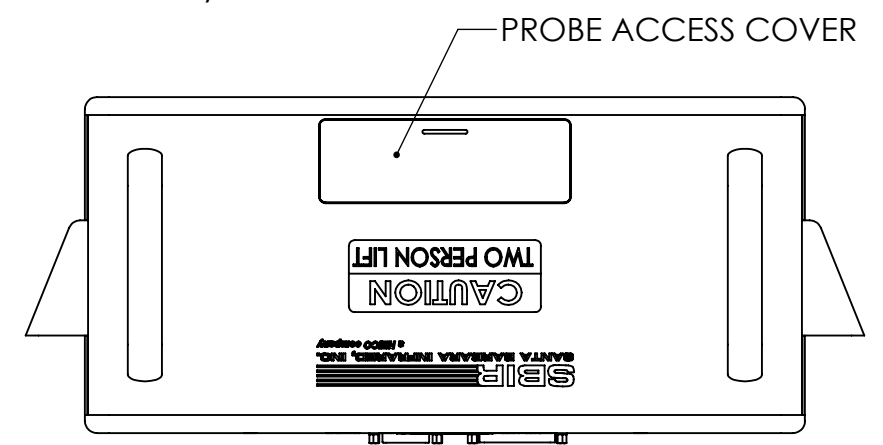
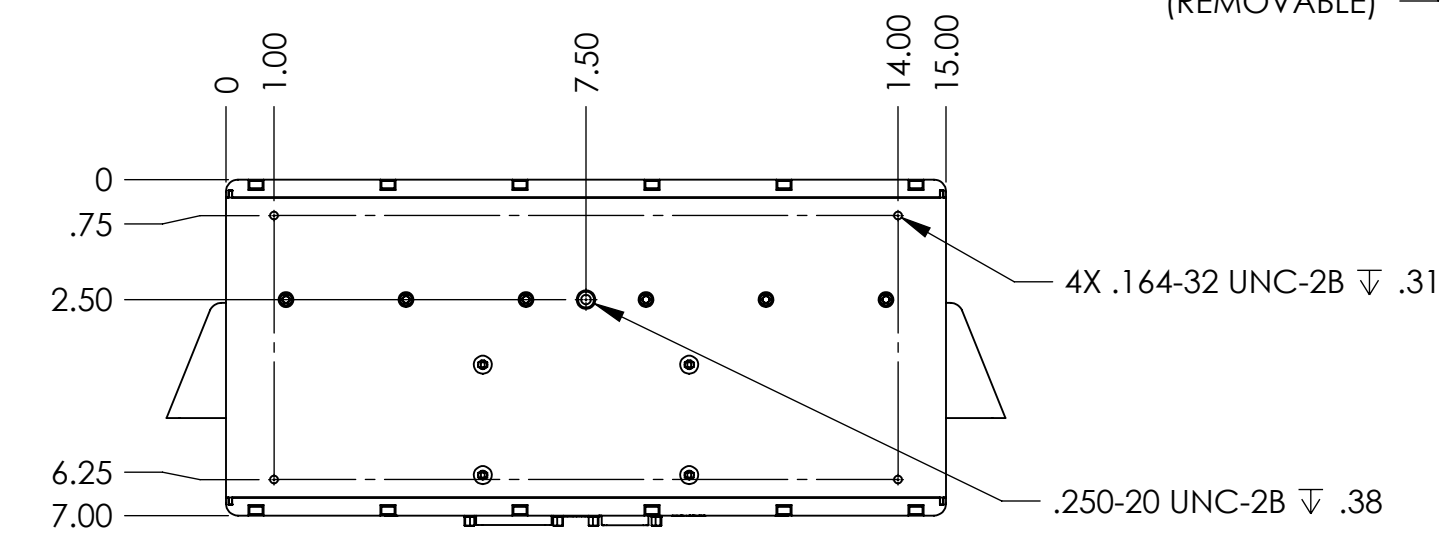
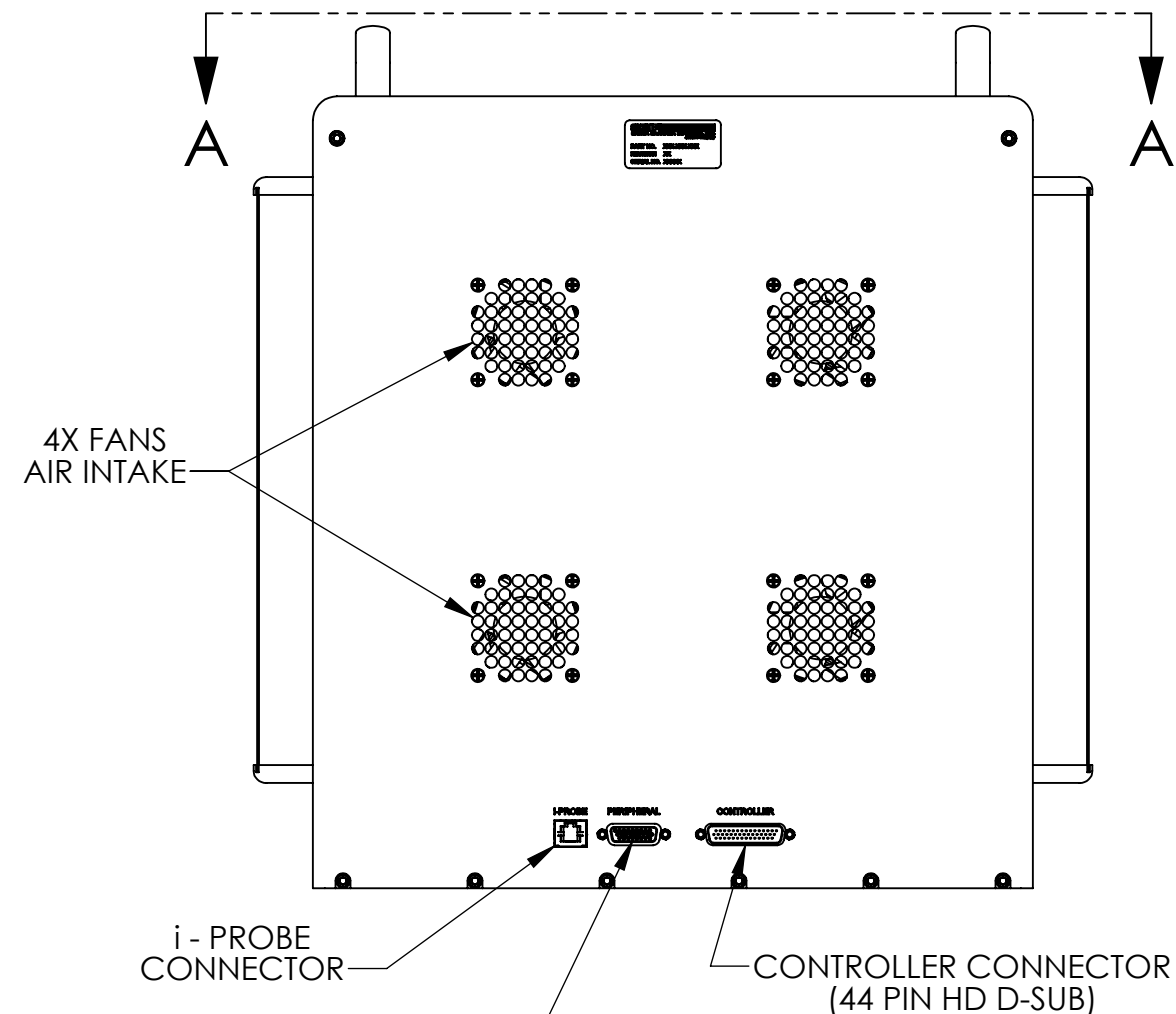
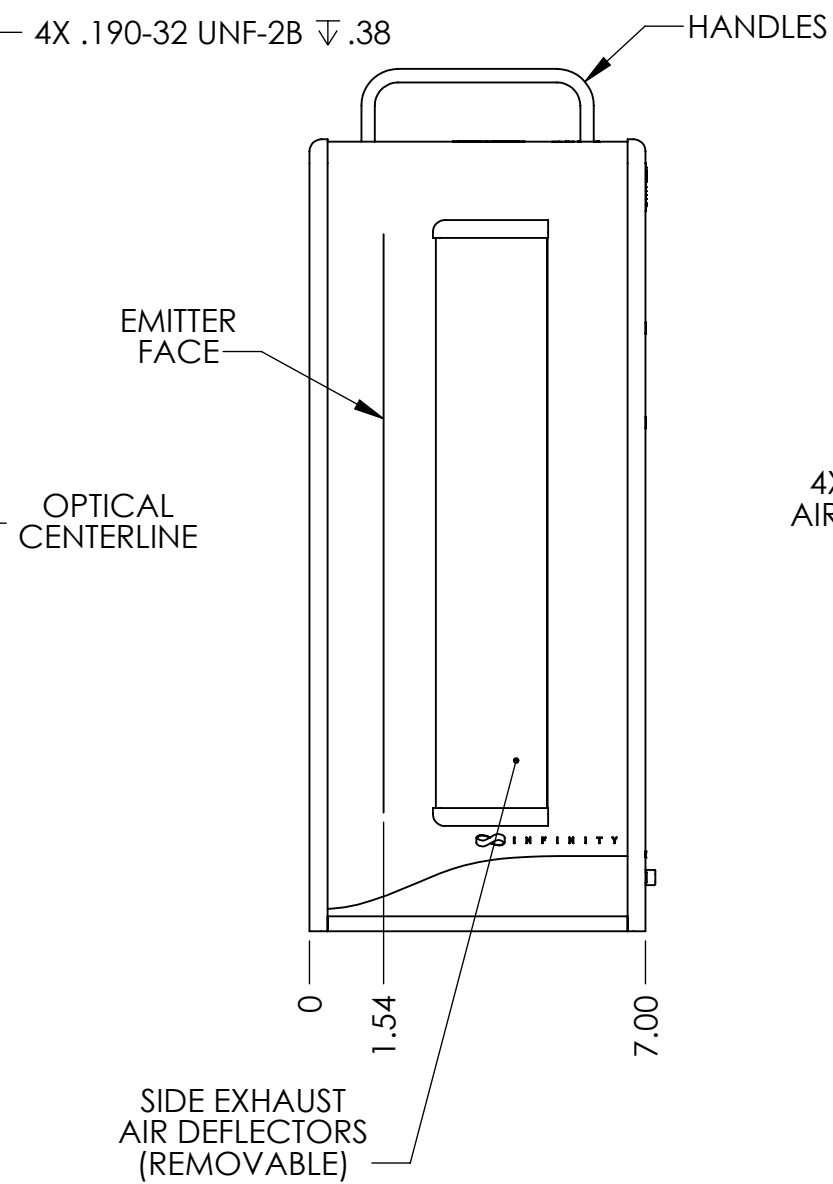
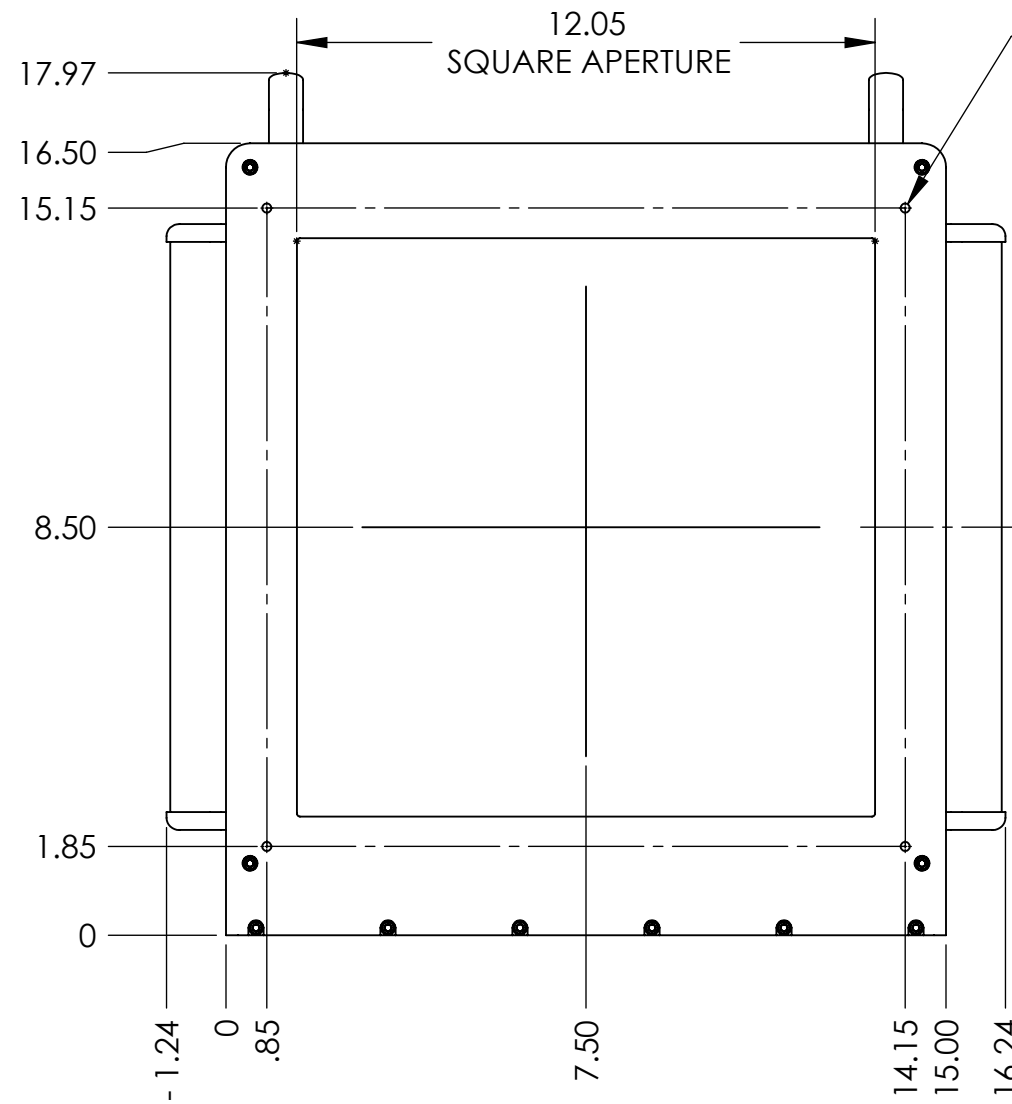
SBIR
SANTA BARBARA INFRARED, INC.
SANTA BARBARA, CA. 93103 a HEICO company

CAGE CODE: 0B0B2

TITLE
DOC, OUTLINE, 12 INCH INFINITY BLACKBODY

NUMBER	319-000-150	SHEET	1	OF	2	REV	NC
--------	-------------	-------	---	----	---	-----	----

SEE SHEET 1 FOR REVISIONS



VIEW A-A

TITLE DOC,OUTLINE,12 INCH INFINITY BLACKBODY				
SCALE	NUMBER	SHEET	OF	REV
1:4	319-000-150	2	2	NC